

HOTPOINT®



Home products and services

Dishwashers

Hotpoint dishwashers offer new features for today's customers



Power Wash II System

Three-level wash action with powerful jet action for effective food soil removal and great wash performance.



Self-Cleaning Filter

Effectively traps and removes food soils. No hand-cleaning of any filter by consumer is necessary.



Hot PreWash option

Preheats water allowing dishes to be washed at any time. Great for homes built on concrete slabs or long runs from the water heater.



New GE QuietPower™ motor

A quieter, cooler, more energy efficient motor than our previous design.

Not all features available on all models.

High quality features for performance and convenience



HDA3400FBB

- 6 cycles/27 options
- Pots & Pans cycle
- Water Saver cycle (on dial)
- Plate Warmer cycle (on dial)
- 5-Hour Delay Start w/ light
- Light Wash (on dial)
- Hi-Temp Wash

- Hot Prewash option
- Deluxe Plus upper rack
- Deluxe insulation package
- Deluxe silverware basket
- QuietPower™ Motor

HDA3400FWW – White on white



HDA3200FBB

- 5 cycles/22 options
- Pots & Pans cycle
- Water Saver cycle (on dial)
- Plate Warmer cycle (on dial)
- Hi-Temp Wash
- Hot Prewash option (on dial)

- Deluxe Plus upper rack
- Deluxe silverware basket
- QuietPower™ Motor

HDA3200FWW – White on white

HDA3200FAA – Almond on almond



HDA2000FBB/HDA2000FAD HDA2000FWH

- 4 cycles/9 options
- Water Saver cycle (on dial)
- Rinse Only cycle (on dial)
- Heavy Wash cycle (on dial)
- Heated Dry On/Off (on rocker)

- Hot Prewash option (on dial)
- Standard upper rack
- Deluxe silverware basket

Available for contract sales only.

HDA2100FWW – White on white



HDA1000ZWH

- 1 cycle/2 options
- Normal Wash cycle (on dial)
- Heated Dry On/Off (on rocker)

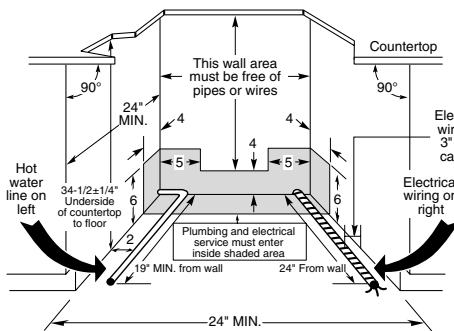
- Standard upper rack
- Deluxe silverware basket

Dishwasher specifications

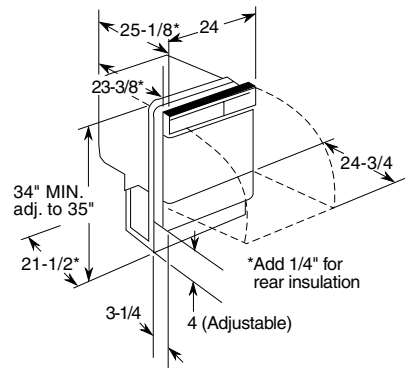
Built-in dishwashers	HDA3400FWW/ HDA3400FBB	HDA3200FWW/ HDA3200FBB/ HDA3200FAA	Contract Only HDA2100FWW/ HDA2000FBB/ HDA2000FWH/ HDA2000FAD	HDA1000ZWH
Features				
Power Wash II System	■	■	■	
Self-cleaning filter	■	■		
Wash levels	3	3	2	2
Cycles/Options	6/27	5/22	4/9	1/2
Pots & Pans cycle	■	■		
Heavy Wash cycle			Dial	
Normal Wash cycle	■	■	Dial	Dial
Light Wash	Dial			
Water Saver cycle	Dial	Dial	Dial	
Plate Warmer cycle	Dial	Dial		
Rinse Only cycle	Dial	Dial	Dial	
Delay Start	■			
Heated Dry	■	Rocker	Rocker	Rocker
Hi-Temp Wash	■	■		
Hot Prewash option	■	Dial	Dial	
Pushbuttons	6	4		
Rinse Aid dispenser	■	■	■	■
Rack System				
Upper	Deluxe Plus	Deluxe Plus	Standard	Standard
Lower	Deluxe	Deluxe	Deluxe	Deluxe
Silverware Basket	Deluxe	Deluxe	Deluxe	Deluxe
Economical/Quiet				
Sound insulation package	Deluxe	Standard Plus	Standard	
QuietPower™ motor	■	■		
Appearance				
Colors available*	WW, BB	WW, BB, AA	WW, BB, WH, AD	WH
Color panels				
Door	Trimless	Trimless	Trimless	Trimless
Access	Trimless	Trimless	Textured	Textured
Weights & Dimensions				
Approx. shipping wt. (lbs.)	81	81	81	81
Height w/legs Retracted (in.)	34	34	34	34
Overall width (in.)	24	24	24	24
Overall depth (in.)	25-1/8	25-1/8	25-1/8	25-1/8
Accessories				
Requires kit for 1/4" panel capability (w/trim)	GPF325W/B	GPF325W/B/A	GPF325W/B	GPF325B
Requires kit for 3/4" panel capability (trimless)	GPF375	GPF375	GPF375	GPF375

*WW = White on white, BB = Black on black, AA = Almond on almond, WH = White/Black, AD = Almond/Black
 **Certificate enclosed in Use and Care Book for ordering information.
 ***See written warranty for details.
 †For the 1/4" panel capability with trim order GPF325A/W/B. For the 3/4" trimless panel capability order GPF375.

Dishwasher rough-in information (in inches)



Dishwasher dimensions (in inches)



Dishwasher accessories

Side panel for all models:

Contains one panel and adjustable toe-kick for end cabinet installation of built-in model. Does not attach to dishwasher. Specify color: GPSSAD—Almond GPF5WH—White

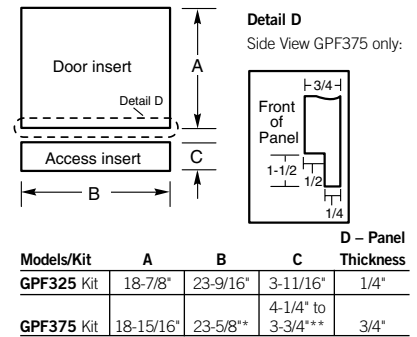
Optional dishwasher accessories:

GPF53—Brackets for under non-wood countertop installation
 GPF95—Stainless sink for Spacemaker® dishwasher—single bowl 21-1/4" x 25" Drain hole on right; elbow and strainer included
 GPF96—Stainless sink for Spacemaker® dishwasher—single bowl 21-1/4" x 25" Drain hole on left; elbow and strainer included
 GPF97—Stainless sink for Spacemaker® dishwasher—double bowl 21-1/4" x 33" Elbow and strainer included
 GPF100—Heavy spring kit for custom door panel weighing more than 4 lbs.
 GPF200—Almond/Black/White side tub flange gasket kit

Wood panel capability:

GPF325A/B/W—Hotpoint 1/4" panel trim kit (door and access)
 GPF375—Hotpoint 3/4" trimless panel trim kit (door and access)

Wood insert cut-out dimensions



*Bottom of panel must be notched 1-1/2" x 1/2" to clear access panel. (See illustration above)
 **Adjustment required to match adjacent cabinet fronts due to leveling adjustment, 4" nominal.

Specifications and electrical rating

120 Volts AC, 60 Hertz, 6.2 Amps total connected load 500 Watt Calrod® heater. For use on adequately wired 120 volt, 15 amp circuit having two-wire service with a separate ground wire. This appliance must be grounded for safe operation.

Dishwasher must not be installed more than 10 feet from sink for proper drainage. All plumbing and electrical work must be in accordance with local codes. Dishwasher includes drain hose and leveling legs.

Note: Before installing, consult installation instructions packed with product for current dimensional data.



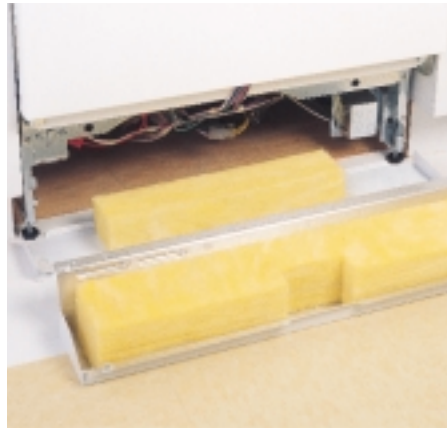
Listed by Underwriters Laboratories

Buying Hotpoint is a good decision because of its wash performance, quiet operation and dependability.



Wall of Water

Completely covers any item in dishwasher.



Sealed Toe kick & access panel insulation

Fiberglass insulation in toe kick and access panel minimizes operating noise.



Durable tub and door liner

Guaranteed against leakage from cracking, peeling, chipping or rusting for ten years.*

Not all features available on all models
* See warranty for details.

Visit us at www.hotpoint.com



We're surfer-friendly!

Completely comprehensive, this site provides you with virtually everything you need to know about Hotpoint® appliances, parts, accessories and service. And, it's also surfer-friendly, so your searches won't be endless—they'll be effortless!



The GE Answer Center® Information Service 800.626.2000. (www.GEAppliances.com)

Questions? Call any time.
Before or after you buy any GE or Hotpoint product, ask us about the features, product comparisons, pricing and where to find it. Call us any time.
We never close.

Industry leading support—

GE Genuine Parts 800.626.2002.

Enhance, upgrade or fix it. Check out our accessories!

Accessories can make great GE or Hotpoint products even better. Replacement parts for GE, Hotpoint and most other brands, too. Fast delivery, convenient, direct.

GE Appliance Service 800.432.2737 (800.GE.CARES) Same day or next day service.

If you ever need product service, we'll come where and when you want—at your convenience. We're the largest manufacturer-owned service organization in the appliance industry. Same or next day service in most cases.

HOTPOINT®

For the long run.