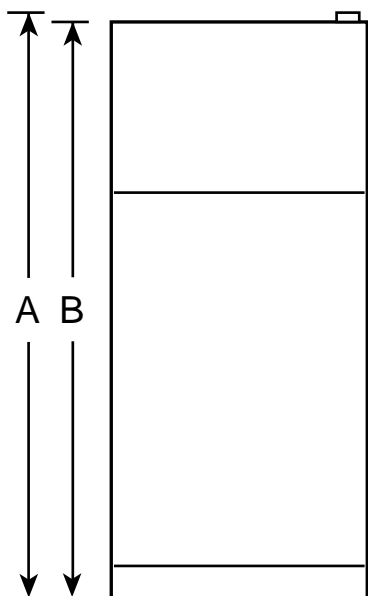


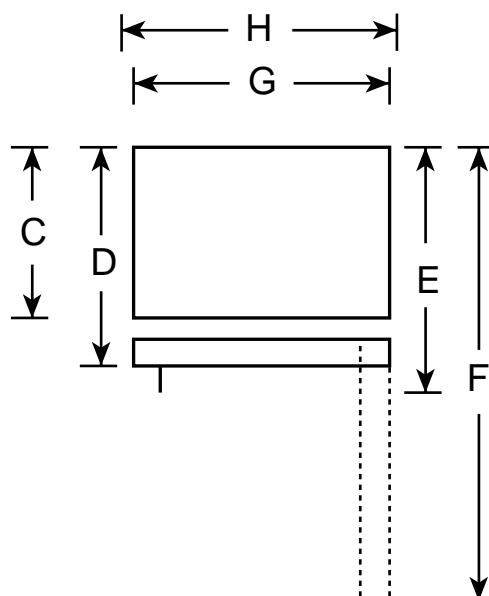
HOTPOINT

HTS18GCM - Hotpoint 17.9 Cu. Ft. Capacity Top-Freezer Refrigerator with Icemaker

Front View



Top View



Overall Dimensions	Height with hinge (in.) A	66-5/8
	Height without hinge (in.) B	66-1/8
	Depth without Doors (in.) C	27-1/2
	Depth with Doors (in.) D	30-1/4
	Depth plus Handle with Doors Closed (in.) E	32-1/8
	Depth with Doors open 90° (in.) F	58-1/8
	Width with Doors Closed (in.) G	29-1/2
	Width with Doors open 90° Less Door Handles (in.) H	30
Air Clearances	Each side (in.)	1/8
	Top (in.)	1
	Back (in.)	1

Note: Before installing, consult installation instructions packed with product for current dimensional data.



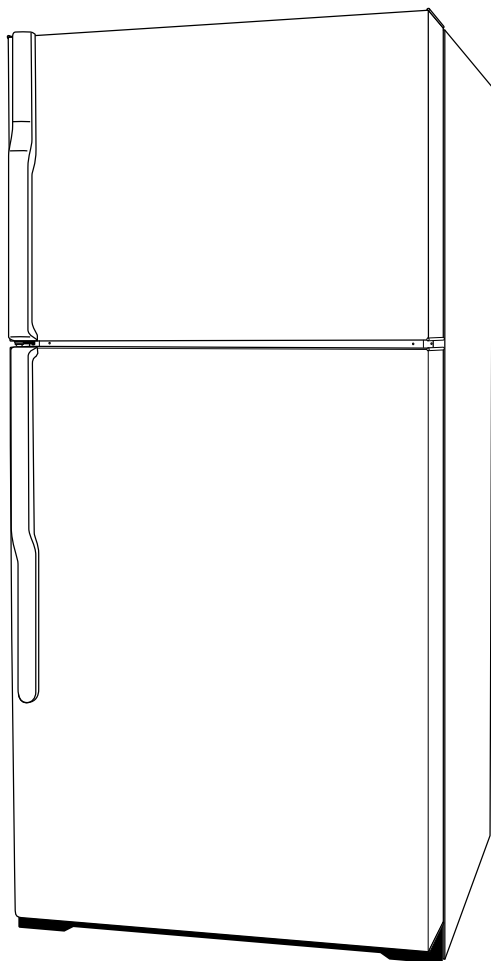
Total volume and shelf area are calculated by the Association of Home Appliance Manufacturers' standards.



Listed by Underwriters Laboratories

HOTPOINT

HTS18GCM - Hotpoint 17.9 Cu. Ft. Capacity Top-Freezer Refrigerator with Icemaker



Features and Benefits

- 17.9 cu ft Capacity (Fresh Food 12.89 cu ft / Freezer 5.03 cu ft)
- Equipped with Factory-Installed Automatic Icemaker
- 2 Vegetable/Fruit Crispers
- Snack Pan
- 2 Full-Width Adjustable Glass Fresh Food Cabinet Shelves
- 1 Split Fresh Food Gallon Door Shelf
- 2 Full-Width Fresh Food Door Bins (1 with Gallon Storage)
- Dairy Compartment
- Spill Proof Freezer Floor
- 1 Adjustable Full-Width Wire Everwhite Freezer Compartment Shelf
- Ice Storage Bin
- 2 Fixed Freezer Door Shelves
- Deluxe Quiet Design
- Color-Matched Door Handles
- Model HTS18GCMWW - White on white
- Model HTS18GCMCC - Bisque