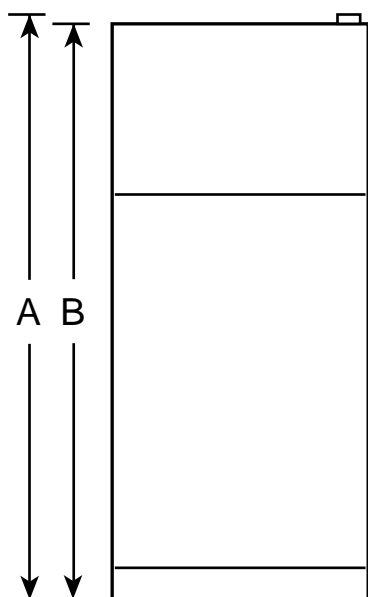


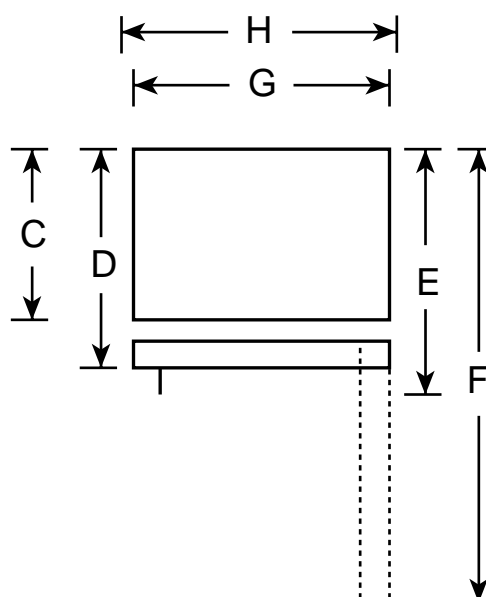
HOTPOINT®

HTR16BBR – Hotpoint 15.8 Cu. Ft. Top-Freezer Refrigerator

Front View



Top View



Overall Dimensions	Height to top of hinge (in.) A	64-3/4
	Height to top of case (in.) B	64-1/4
	Height to mid-freezer (in.)	54-3/8
	Case depth without door (in.) C	25-7/8
	Case depth less door handle (in.) D	29-1/8
	Case depth with door handle (in.) E	29-1/8
	Depth with fresh food door open 90° (in.) F	54-7/8
	Width (in.) G	28
	Width with door open 90° with door handle (in.) H	28-5/8
Air Clearances	Each side (in.)	3/4
	Top (in.)	1
	Back (in.)	1

Note: Before installing, consult installation instructions packed with product for current dimensional data.

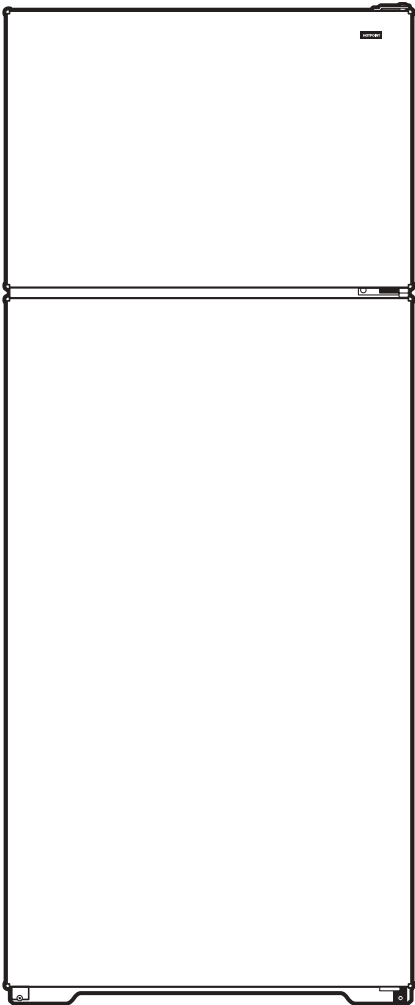
Note: All Top-Freezer No-Frost Right-Hand Refrigerator Doors: As you face the front of the refrigerator, the handle is on your left and the hinges are on your right.

All Top-Freezer No-Frost Left-Hand Refrigerator Doors: As you face the front of the refrigerator, the handle is on your right and the hinges are on your left.





HTR16BBR – Hotpoint 15.8 Cu. Ft. Top-Freezer Refrigerator



Features and Benefits

- Upfront Temperature Controls – Are positioned up front, close at hand, for maximum convenience and ease of use
- Adjustable Wire Shelves – Provide strong support and slide out with ease
- Vegetable/Fruit Crispers – Provide easy storage for your fruits and vegetables
- Tall bottle door storage – Designed to hold upright bottles and containers
- NeverClean™ Condenser – Condenser coils are encased, so they don't require cleaning in normal operating environments
- Deluxe Quiet Design – Significantly reduces operating noise
- Square Doors – Classic design that's compatible with any kitchen décor
- Recessed handles – Color-matched recessed door handles reflects the latest in European style and appearance
- Model HTR16BBRWW – White on white
- Model HTR16BBRCC – Bisque on bisque