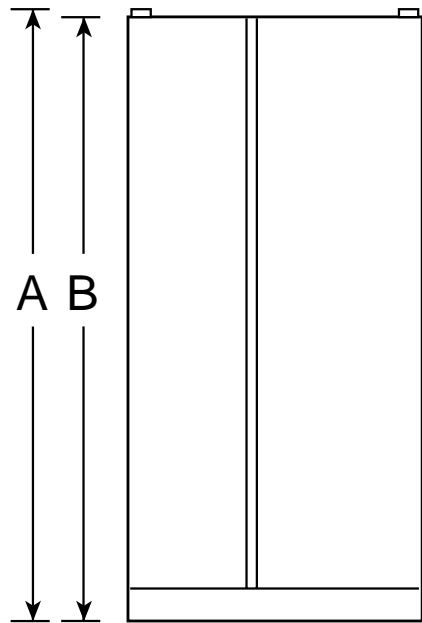
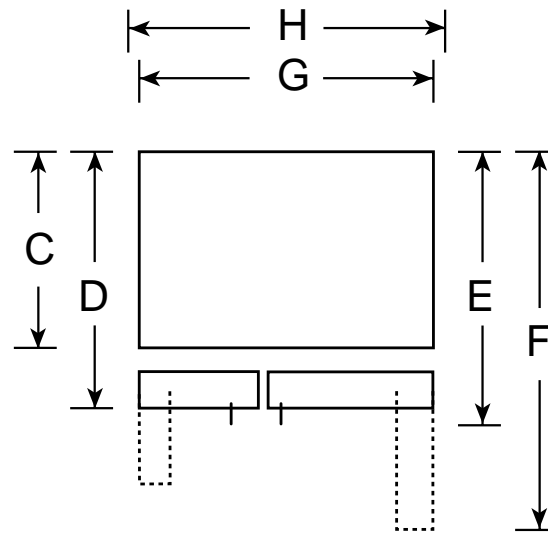


HOTPOINT

CSX19LABWH–Side-by-Side No-Frost Refrigerator



Front View



Top View

Overall Dimensions	Height with hinge (in.) A	67-5/8
	Height without hinge (in.) B	66-5/8
	Depth without Doors (in.) C	28
	Depth with Doors (in.) D	30-1/2
	Depth plus Handle with Doors Closed (in.) E	32-1/2
	Depth with Doors open 90° (in.) F	48-5/16
	Width with Doors Closed (in.) G	31-1/2
	Width with Doors open 90° Less Handle (in.) H	32-1/4
Air Clearances	Each side (in.)	3/4
	Top (in.)	1
	Back (in.)	1

*If installed against a wall, allow 11-1/4" on freezer side to remove ice bin.
 To remove fresh food pans, remove door bins.
 13-5/8" Clearances required to remove fresh food full-size pan without disassembling.

For answers to your Monogram,[®]GE Profile Performance Series,[™] GE Profile,[™] and GE appliance questions, call GE Answer Center[®] service, 800.626.2000.



Total volume and shelf area are calculated by the Association of Home Appliance Manufacturers' standards.

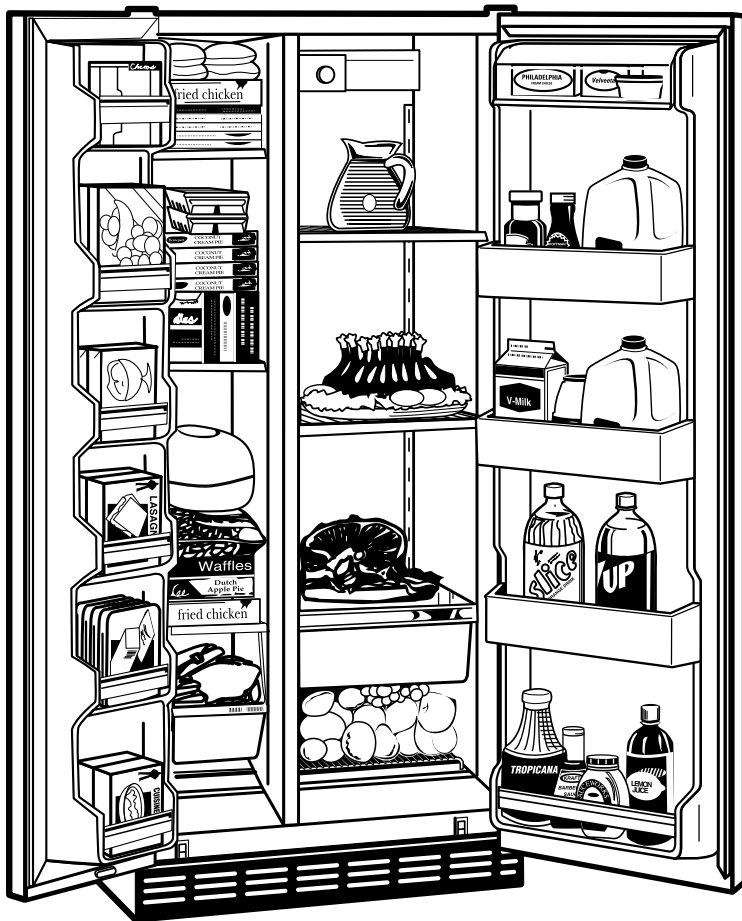


Listed by Underwriters Laboratories



HOTPOINT

CSX19LABWH–Side-by-Side No-Frost Refrigerator



Features and Benefits

- 19.4 cu. ft. Capacity (Fresh Food 12.71 cu. ft. / Freezer 6.70 cu. ft.)
- Vegetable/Fruit Crispers
- Vegetable/Fruit Wire Trivet
- 2 Wire Everwhite Fresh Food Cabinet Shelves
- Gallon Door Bins
- Dairy Compartment
- 3 Adjustable, Wire Everwhite Freezer Compartment Shelves
- Sliding Freezer Storage Bin
- 6 Freezer Door Shelves
- Equipped for Optional Automatic Icemaker
- 2 Ice 'N Easy Trays
- Black Door Handles
- Model CSX19LABWH–White