



INSTALLATION INSTRUCTIONS

**30" Built-In Bottom-Freezer,
2-Drawer Refrigerator**

ENGLISH/FRANÇAIS/ESPAÑOL.

Safety Information

BEFORE YOU BEGIN

Read these instructions completely and carefully.

- **IMPORTANT** – Save these instructions for local inspector’s use. Observe all governing codes and ordinances.
- **Note to Installer** – Be sure to leave these instructions with the Consumer.
- **Note to Consumer** – Keep these instructions with your Owner’s Manual for future reference.

If you received a damaged unit, you should immediately contact your dealer or builder.

Skill Level – Installation of this unit requires basic mechanical, carpentry and plumbing skills. Proper installation is the responsibility of the installer. Product failure due to improper installation is not covered under the Monogram Warranty. See the Owner’s Manual for warranty information.

⚠ WARNING **Electrical Shock Hazard.**

Plug into a grounded 3-prong outlet.
Do not remove the ground prong.
Do not use an adapter.
Immediately discontinue use of a damaged supply cord. If the supply cord is damaged it must be replaced by a qualified service professional with an authorized service part from the manufacturer.

Do not use an extension cord with this appliance. Failure to follow these instructions can result in death, fire, or electrical shock.
Follow the instructions in the section Grounding the unit. This appliance must be installed with a means in the fixed house wiring or circuit breaker for disconnecting the appliance from the electrical supply after installation.

⚠ WARNING **Tip Over Hazard.**

These appliances are top heavy, especially with any doors open, and must be secured to prevent tipping forward which could result in death or serious injury. Read and follow the entire installation instructions for securing the appliance with the anti-tip system.

⚠ WARNING **Explosion Hazard.**

Keep flammable materials and vapors, such as gasoline, away from appliance. Failure to do so can result in fire, explosion, or death.

⚠ WARNING To reduce the risk associated with choking, do not allow children under 3 years of age to have access to small parts during the installation of this product.

⚠ CAUTION **Lifting Hazard**

This unit is very heavy. To reduce the risk of person injury during maneuvering and installing this appliance, 3 people are required for proper installation.

⚠ CAUTION Keep fingers out of the “pinch point” areas; clearances between the doors and between the doors and cabinet are necessarily small. Be careful closing doors when children are in the area.

For Monogram local service in your area, visit monogram.com
For Monogram service in Canada, visit monogram.ca
For Monogram Parts and Accessories, visit monogram.com/use-and-care/parts
For Monogram Parts and Accessories in Canada, visit monogram.ca

Safety Information

⚠ WARNING **EXPLOSION HAZARD Flammable Refrigerant**

This appliance contains isobutane refrigerant, R600a, a natural gas with high environmental compatibility. However, it is also combustible.

Adhere to the warnings below to reduce the risk of injury or property damage.

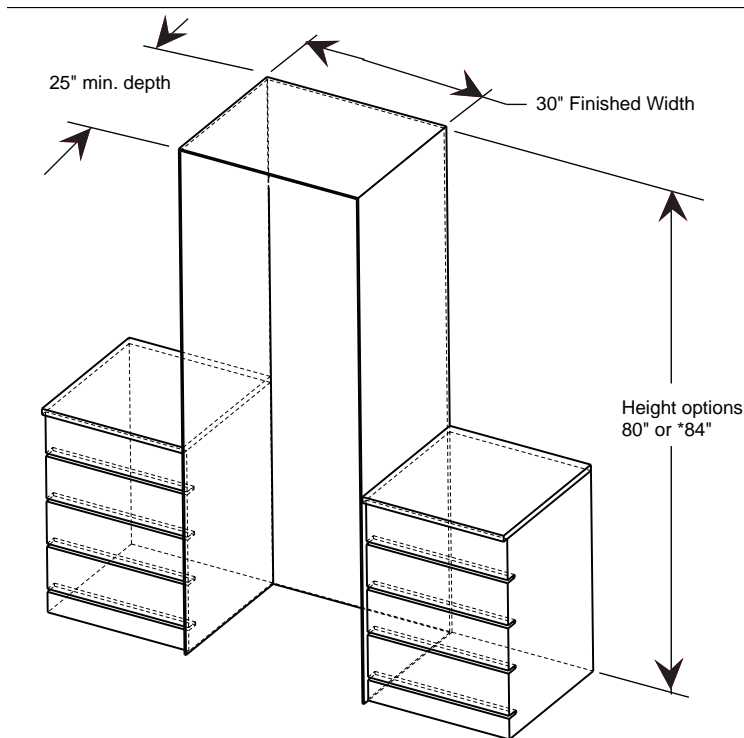
- 1) When handling, installing and operating the appliance, care should be taken to avoid damage to the refrigerant tubing.
- 2) Service shall only be performed by authorized service personnel. Use only manufacturer-authorized service parts."
- 3) Dispose of refrigerator in accordance with Federal and Local Regulations. Flammable refrigerant and insulation material used require special disposal procedures. Contact your local authorities for the environmentally safe disposal of your refrigerator.
- 4) Keep ventilation openings in the appliance enclosures or in the built-in structure clear of obstruction.
- 5) Do not use mechanical devices or other means to accelerate the defrosting process.
- 6) Do not damage refrigerant circuit.
- 7) Do not use electrical appliances inside the food storage compartment of the appliance.

Contents

Design Guide			
Cabinet Enclosure Dimensions	4	Step 3. Connect Water Line	13
Refrigerator Dimensions	5	Step 4. Connect Power	13
The Installation Space	6	Step 5. Slide Unit into Enclosure	14
Grounding the Refrigerator	6	Step 6. Remove Toekick and Vent	14
115° Door Swing	7	Step 7. Level Refrigerator	14
90° Door Swing	8	Step 8. Install Toekick and Vent	15
SS Panel Accessory & Dimensions	9	Step 9. Reverse Door Swing	15
3/4" Custom Panel Dimensions	10	Step 10. Adjust Door Swing	16
		Step 11. Install Door and Drawer Panels	18
Installation Instructions		Step12. Start Icemaker	18
Tools, Hardware, Materials	11		
Step 1. Remove Packaging	12	Monogram Badge Placement	19
Step 2. Install Anti-tip Bracket	13		

Design Guide

Cabinet Enclosure Dimensions For Fully Integrated Instructions

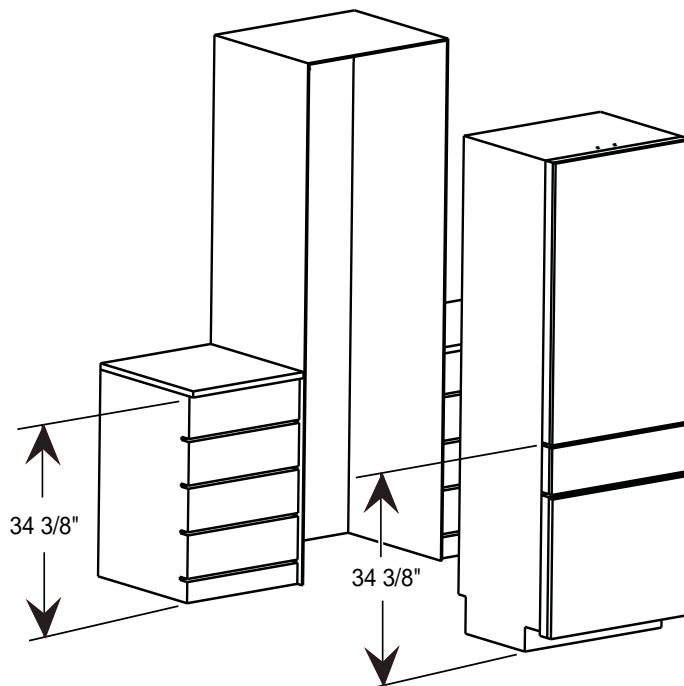


The cutout depth must be 25" for flush installations.

- The front face of the refrigerator fits flush with 25" depth adjacent cabinets.
- The refrigerator can fit into a 79-1/2" minimum, 84-1/2" maximum high enclosure. Although the refrigerator itself can only be raised to 80 3/8",
- The fresh food door panel can be constructed to fill additional height; see page 11.

💡 Design Tip: We recommend finishing the inside surface of the enclosure a min. of 4" from the front face.

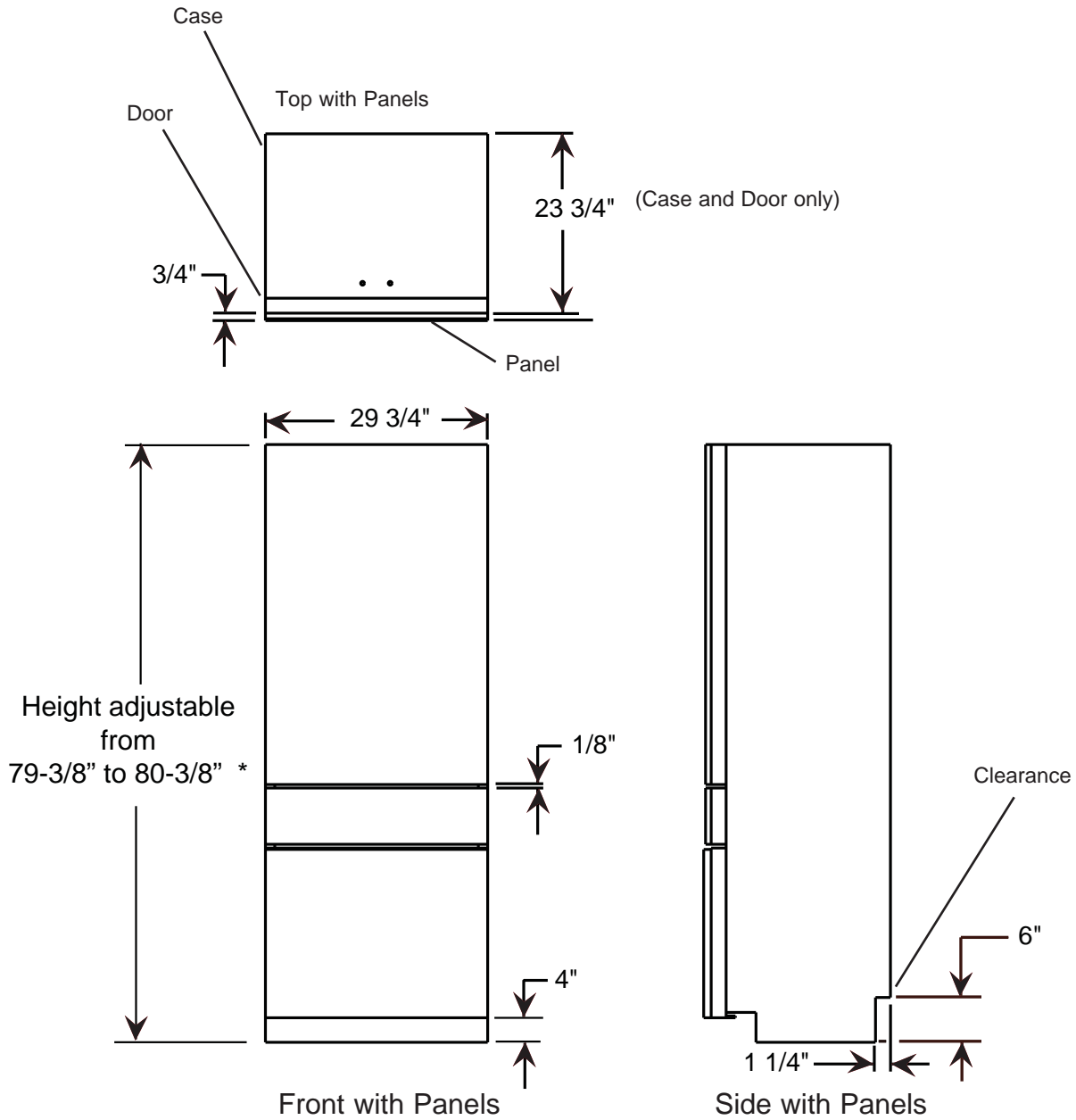
💡 Design Tip: If using 84" enclosure, consider adding a finished valence above the refrigerator case.



💡 Design Tip: It is possible to align your refrigerator drawer with adjacent cabinetry for a completely integrated look.

Design Guide

Refrigerator Dimensions with 3/4" Panels



* The Refrigerator can be adjusted to fit into a cabinet space that is $83 \frac{3}{8}$ " to $84 \frac{3}{8}$ " with the appropriate door panel kit.

Install Clearances		
Top 1/8" / 3mm	Each Side 1/4" / 6mm	Rear 1/2" / 12mm

Design Guide

THE INSTALLATION SPACE

Water and Electrical Locations

Electrical and water supply should be located in shaded area only as shown.

⚠ WARNING Connect to potable water supply only.

PREPARING INSTALL WATER LINE

- A cold water supply is required for automatic icemaker operation. The water pressure must be between 40 and 120 p.s.i. (275-827 kPa).
- Route 1/4" OD copper or SmartConnect™ plastic tubing between the house cold water line and the water connection location.
- Tubing should be long enough to extend to the front of the enclosure.
- Water line can enter an opening through the floor or back wall.
- Install a shut-off valve between the icemaker water valve and cold water supply in the home.

NOTE:

- It is recommended that the water shut-off valve be placed in a location that is easily accessible. We do not advise placing it behind the unit because of access difficulties. If it is necessary to install the valve behind the unit, it must be located in the shaded area.
- Saddle type shut-off valves are included in many water supply kits, but are not recommended for this application.
- The only GEA-approved plastic tubing is supplied in the SmartConnect™ Refrigerator Tubing kits. Do not use any other plastic water supply line because the line is under pressure at all times. Other types of plastic may crack or rupture with age and cause water damage to your home. SmartConnect™ Refrigerator Tubing Kits are available in the following lengths:
6' (1.8 m) WX08X10006, 15' (4.6 m) WX08X10015 & 25' (7.6 m) WX08X10025
- Commonwealth of Massachusetts Plumbing Codes 248CMR shall be adhered to. Saddle valves are illegal and use is not permitted in Massachusetts. Consult with your licensed plumber.

Electrical Specifications

- A 115-volt, 60-Hz., 15- or 20-amp power supply is required. An individual properly grounded branch circuit or circuit breaker is recommended.
- Install a properly grounded 3-prong electrical receptacle recessed into the back wall. Electrical must be located on rear wall as shown.

NOTE: GFI (ground fault interrupter) is not recommended.

GROUNDING THE REFRIGERATOR

⚠ WARNING  **Electrical Shock**

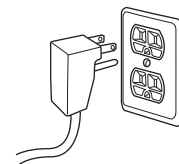
Hazard. Failure to follow these instructions can result in death, fire, or electrical shock.

The power cord of this appliance is equipped with a 3-prong (grounding) plug which mates with a standard three-prong (grounding) wall receptacle to minimize the possibility of electric shock hazard from this appliance.

Have the wall outlet and circuit checked by a qualified electrician to make sure the outlet is properly grounded.

Where a standard 2-prong wall outlet is encountered, it is your personal responsibility and obligation to have it replaced with a properly grounded 3-prong wall outlet.

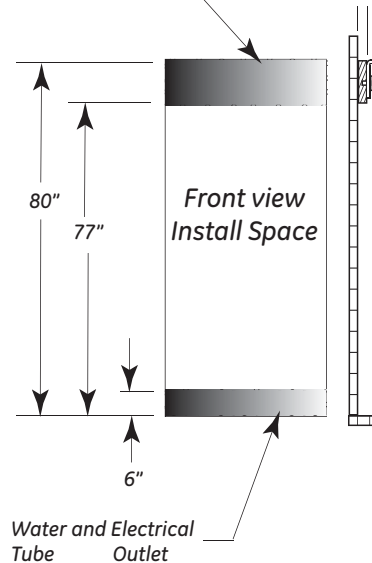
DO NOT, UNDER ANY CIRCUMSTANCES, CUT OR REMOVE THE THIRD (GROUND) PRONG FROM THE POWER CORD.



DO NOT USE AN ADAPTER PLUG TO CONNECT THE REFRIGERATOR TO A 2-PRONG OUTLET.

DO NOT USE AN EXTENSION CORD WITH THIS APPLIANCE.

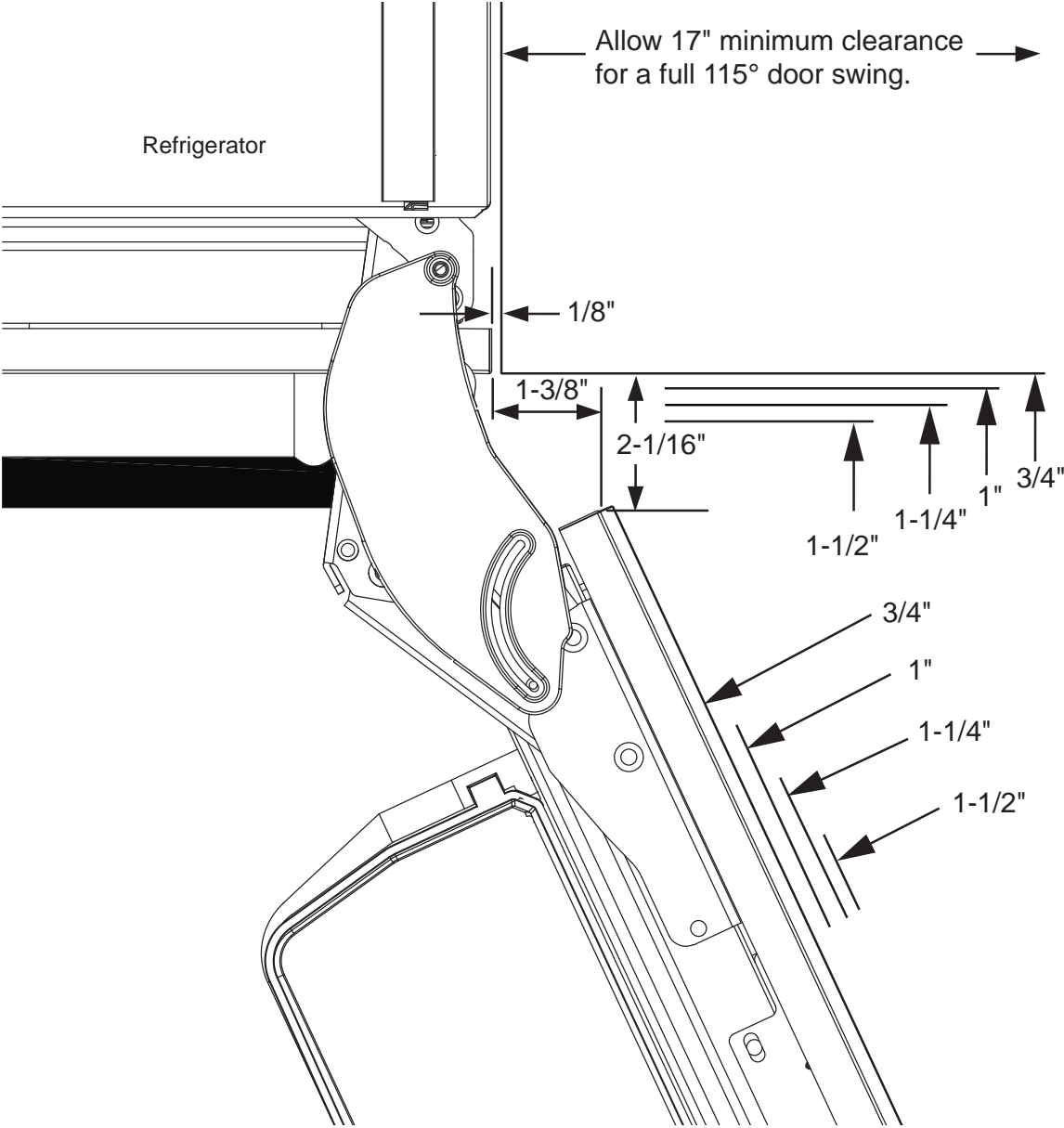
Anti-Tip location. Do not obstruct this area.



Design Guide

Product Clearances

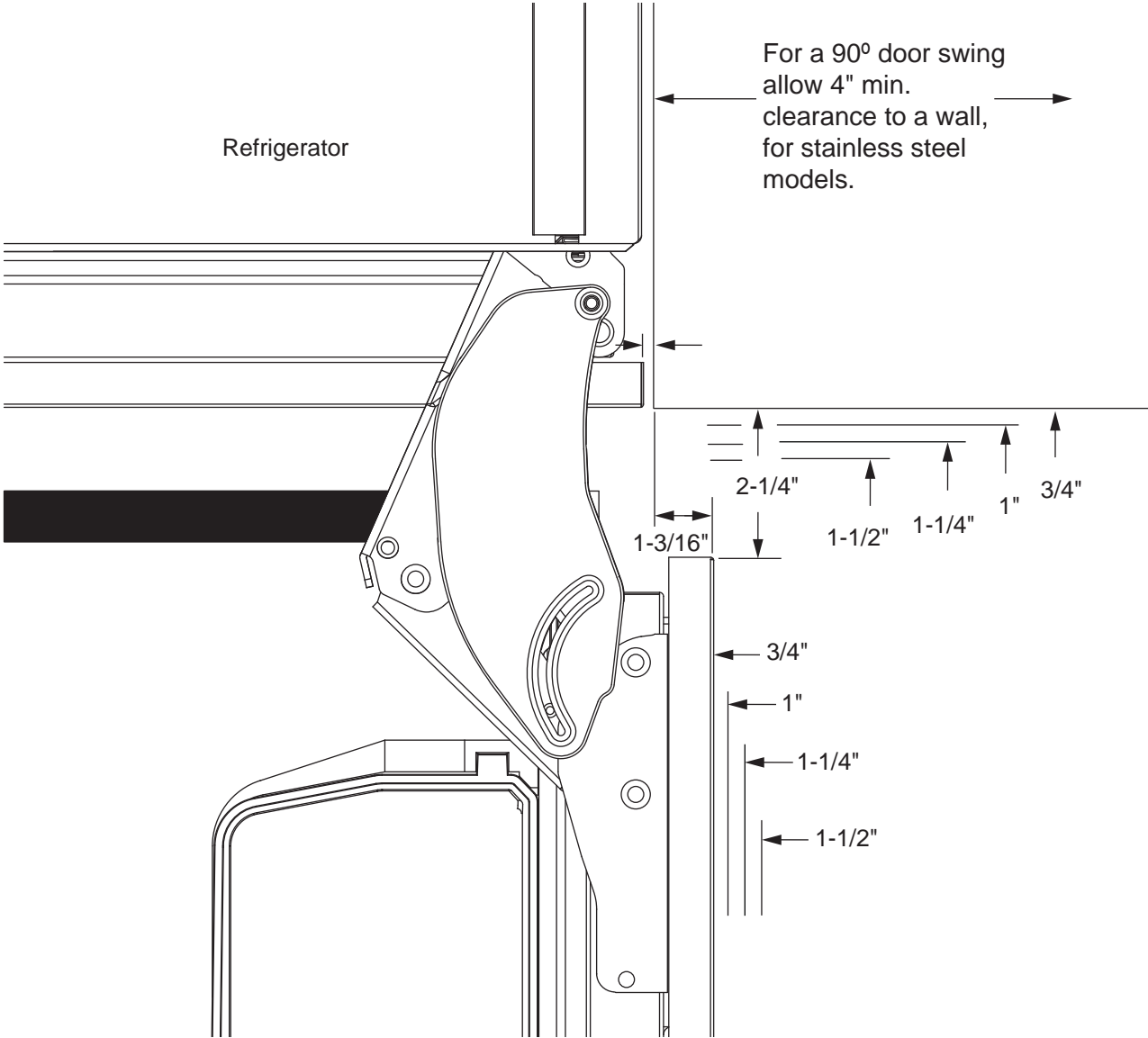
These refrigerators are equipped with a 2-position door stop. The factory-set 115° door swing can be adjusted to 90° if clearance to adjacent cabinets or walls is restricted. For 90° Door swing see page 8.



Stainless Steel or Custom Panels
Top View
115° DOOR SWING
(factory setting)

Not to scale

Design Guide



Stainless Steel or Custom Panels
Top View
90° DOOR SWING
(optional setting)

Not to scale

Design Guide

SS PANEL ACCESSORY & DIMENSIONS

3/4"-Thick Solid Door Panel Options

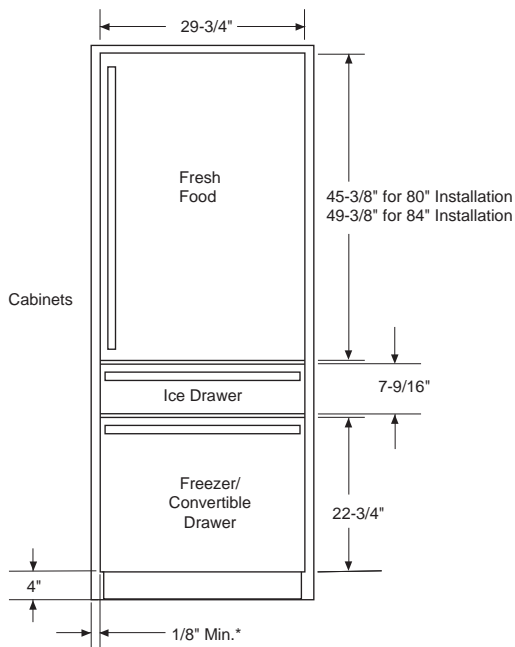
For 80" High Installation

- LH Integrated – Model ZKSSN809NLH
- RH Integrated – Model ZKSSN804NRH

For 84" High Installation (The door panel is not reversible for the 84" Installations. A left or right-hand door panel accessory must be purchased.)

- LH Integrated – Model ZKSSN849NLH
- RH Integrated – Model ZKSSN844NRH

NOTE: Each kit also contains matching freezer and customizable drawer panels, handles and toekick.



*There must be a minimum 1/8" gap between panels and surrounding cabinetry.

Optional Accessory Kits #:

- Side-by-Side Installation Kit – ZUG30
- Minimalist Collection Handle Kit: ZKGC3H3CNSS
- Statement Collection Handle Kit: ZKGC3H3PNSS

3/4"-Thick Frame for Glass Door Options

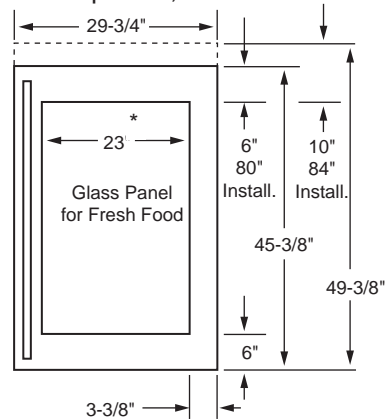
For 80" High Installation

- LH Integrated – Model ZKGSN809NLH
- RH Integrated – Model ZKGSN804NRH

For 84" High Installation (The door panel is not reversible for the 84" Installations. A left or right-hand door panel accessory must be purchased.)

- LH Integrated – Model ZKGSN849NLH
- RH Integrated – Model ZKGSN844NRH

NOTE: Each option also contains matching freezer and Convertible drawer panels, handles and toekick.



Design Guide

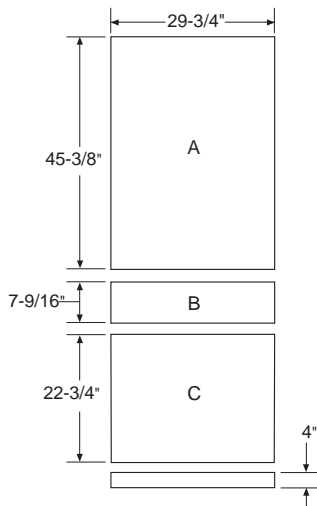
3/4" CUSTOM PANEL DIMENSIONS: 80" High Fully Integrated Installation

If you choose to install custom panels, they must be cut to the dimensions shown. The panels will attach to the door and drawers using a hook and bracket system.

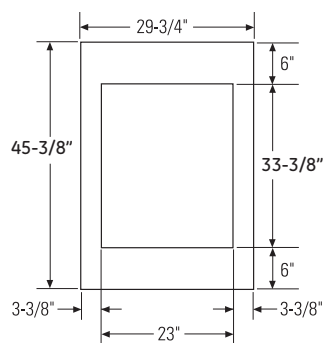
EXTREMELY IMPORTANT: Custom wood panels must be at least 3/4" thick where hooks and bracket hardware are attached. Refer to Templates for hook and bracket location.

NOTE: This product is designed to handle 3/4" panels that are made of wood. 33-3/8" x 23" is the maximum opening for a glass window. The opening may be smaller if desired.

PANELS FOR SOLID DOOR AND DRAWERS



PANELS FOR GLASS DOOR



IMPORTANT NOTE: Maximum panel weight:

A Fresh Food Door Panel: 33 lbs.

B Freezer Drawer Panel: 9 lbs.

C Convertible Drawer Panel: 19 lbs.

*Styles must be a min 3-3/8" to cover aluminum door frame.



Design Tip: Some amount of each panel will be visible on the interior side of the unit. It is recommended that both sides of each panel be finished.



Design Tip: If using custom panels, a custom toe kick should be considered. The Bottom of case is white.

3/4" CUSTOM PANEL DIMENSIONS: 84" High Fully Integrated Installation

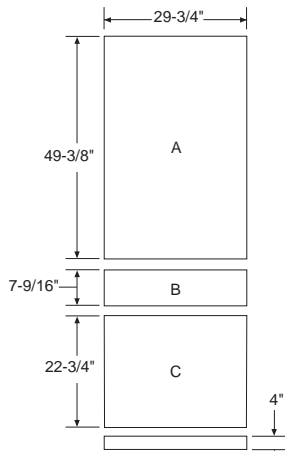
If you choose to install custom panels, they must be cut to the dimensions shown. The panels will attach to the door and drawers using a hook and bracket system.

EXTREMELY IMPORTANT: Custom wood panels must be at least 3/4" thick where hooks and bracket hardware are attached. Refer to Templates for hook and bracket location.

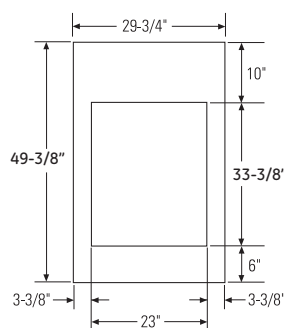
NOTE: This product is designed to handle 3/4" panels that are made of wood.

33-3/8" x 23" is the maximum opening for a glass window. The opening may be smaller if desired.

PANELS FOR SOLID DOOR AND DRAWERS



PANELS FOR GLASS DOOR



IMPORTANT NOTE: Maximum panel weight:

A Fresh Food Door Panel: 33 lbs.

B Freezer Drawer Panel: 9 lbs.

C Convertible Drawer Panel: 19 lbs.

*Styles must be a min 3-3/8" to cover aluminum door frame.



Design Tip: Some amount of each panel will be visible on the interior side of the unit. It is recommended that both sides of each panel be finished.



Design Tip: If using custom panels, a custom toe kick should be considered. The Bottom of case is white.

Installation Instructions

TOOLS REQUIRED

- 5/32" Allen wrench
- Utility knife
- Stepladder
- Bucket
- Level
- Appliance hand truck
- Tubing cutter
- 7/16" open-end wrench
- 1-5/16" open-end wrench
- #2 Phillips screwdriver
- Drill and bit set
- 5/16" socket
- Safety glasses
- Pliers
- 3/8" ratchet
- Torx T-20, T-30 wrench

HARDWARE SUPPLIED

- Anti-tip bracket & screws
- Panel installation kit
- Door panel templates- Pub # 31-1000149, 31-1000150, 31-1000151, 31-1000152
- Water filter - Part # GSWF
- Drywall Anchors and screws

MATERIALS REQUIRED

- 1/4" copper water line tubing or SmartConnect™ Refrigerator Tubing kits
- Water shut-off valve
- Custom panels for fresh food door, freezer drawer and Convertible drawer
- Velcro w/adhesive if using custom toekick.

FLOORING

For proper installation, this refrigerator must be placed on a level surface of hard material that is at the same height as the rest of the flooring. This surface should be strong enough to support a fully loaded refrigerator, or approximately 1,200 lbs.

NOTE: Protect the finish of the flooring. Cut a large section of the cardboard carton and place under the refrigerator where you are working.

REFRIGERATOR/FREEZER LOCATION

- Do not install the refrigerator/freezer where the temperature will go below 55°F (13°C). It will not run often enough to maintain proper temperatures.
- Do not install the refrigerator/freezer where temperatures will go above 100°F (37°C). It will not perform properly.
- Do not install the refrigerator/freezer in a location exposed to water (rain, etc.) or direct sunlight.
- Install it on a floor strong enough to support it fully loaded.

Installation Instructions

STEP 1 REMOVE PACKAGING

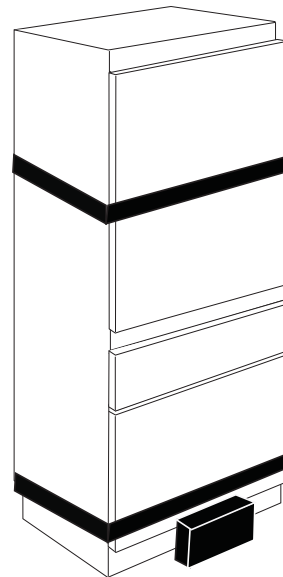
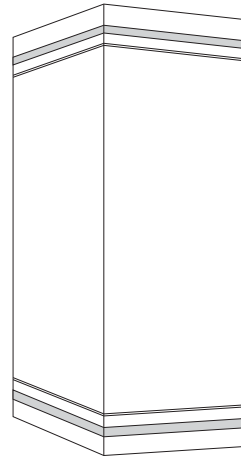
⚠ WARNING



Tip Over Hazard.

This appliance is top heavy. Use extreme caution with moving to prevent tipping over which could result in death or serious injury.

- Cut bands and tape on the top and bottom of packaging with a utility knife.
- Unfold the cardboard seams and remove the top of the packaging.
- Slide the remainder of the box off of the appliance. You can use a box cutter to cut the remaining cardboard being VERY CAREFUL not to scratch the appliance.
- Remove the Styrofoam supports from around the unit.
- DO NOT remove door band or lower EPS banded part until unit is ready to go into enclosure.
- Cut EPS skid at the sides near the front from the back of the unit.
- Push unit forward & remove rear portion of the EPS skid.
- Carefully lower rear onto the floor.
- Lean unit back slightly & remove front portion of the EPS skid.
- Discard all unused packaging materials appropriately.
- The unit can now be moved using an appliance hand truck or rolled on a properly protected floor by 2 people.
- Leave any protective film on the refrigerator until installation is complete.



Installation Instructions

⚠ WARNING

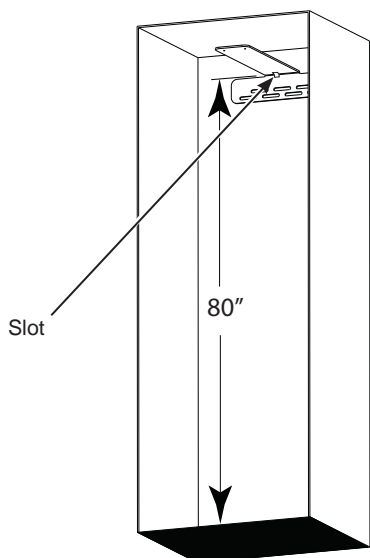


Tip Over Hazard.

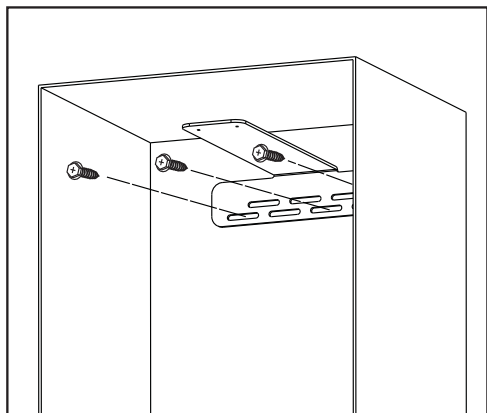
These appliances are top heavy, especially with any doors open, and must be secured to prevent tipping forward which could result in death or serious injury. Read and follow the entire installation instructions for securing the appliance with the anti-tip system.

STEP 2 INSTALL ANTI-TIP BRACKET

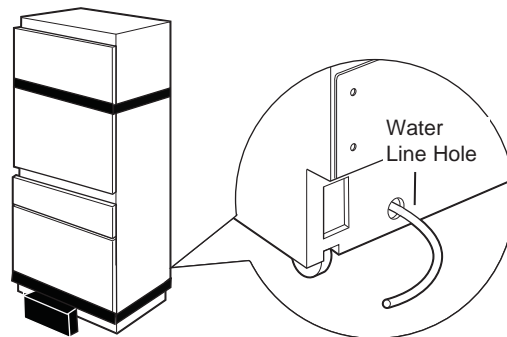
- Inside Top Face of bracket should be installed at 80". "Slot" in bracket should be placed in center of install Space (Typically 15").
- Mark (within slots, placement) stud and anchor positions on brackets.



- Secure bracket using combination of studs & anchors.
- At least 1 stud must be engaged. However, please engage as many studs as possible within the enclosure. A minimum of three fasteners should be used for proper installation.



STEP 3 CONNECT WATER LINE



⚠ WARNING Connect to potable water supply only.

- Position appliance in front of enclosure.
- Locate and bring tubing to the front of the cabinet.
- Turn the water on to flush debris from line. Run about a quart of water through tubing into a bucket; then shut off water.

If needed cut the tubing to the proper length so it can be attached to the water valve.

Copper Tubing:

- Slip a 1/4" nut and ferrule over both ends of the copper tubing. Insert tube into the union fitting on the unit and tighten nut to union.
- Turn on the water to check for leaks.

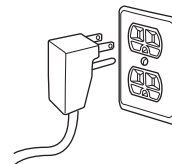
SmartConnect™ Tubing:

- Follow the instructions provided with the tubing. Over tightening may cause leaks. Turn on the water to check for leaks.

Note: Coil excess tubing length behind the unit.

STEP 4 CONNECT POWER

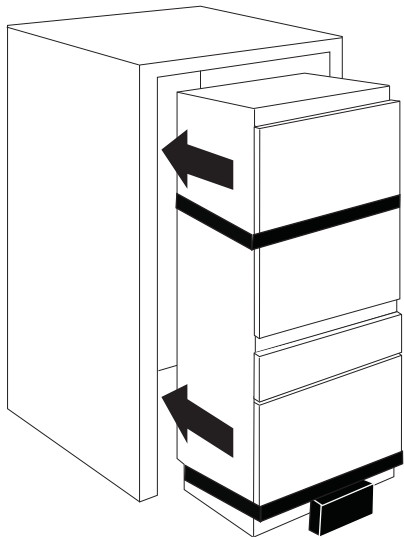
- Plug the power cord into the socket.
- Check to make sure power to refrigerator is on by opening the ice drawer (FF door will be banded shut) to see if interior lights are on.
- The temperature controls are preset at 37°F for the fresh food section and 0°F in both the freezer drawer and customizable drawer.
- Allow 24 hours to stabilize before making adjustments.



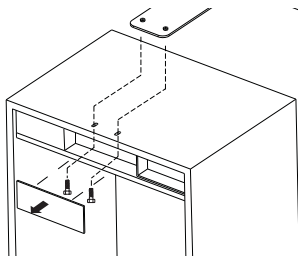
Installation Instructions

STEP 5 SLIDE UNIT INTO ENCLOSURE

Roll the unit into the enclosure, being careful not to pinch the water line or power cord.



- A long flat bar or yard stick may be needed to guide the front edge of the anti-tip bracket over the unit.
- If space allows, you may also bend the front edge of the bracket upward slightly, allowing it to clear the back of the unit.

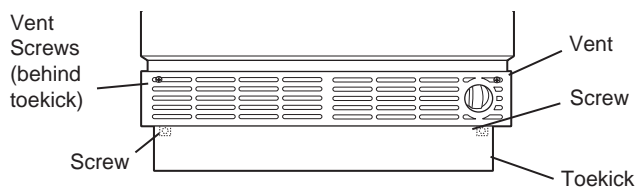


- Remove Top-Center trim cover from unit.
- Secure the unit to the Anti-tip bracket using both machine screws & washers to engage the threaded inserts in the anti-tip bracket.
- Hand start the screws until unit is in desired location within the install space.
- Finalize unit install by tightening the screws fully.
- Reinstall Trim cover.

STEP 6 REMOVE TOEKICK AND VENT

The toekick must be removed to access the leveling leg system.

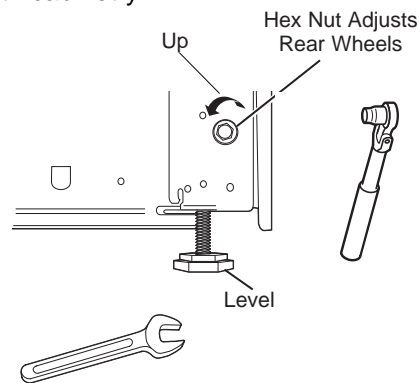
- Remove band around EPS block in front of toekick.
- Remove and dispose of EPS block.
- Remove the solid portion of the toekick by pulling forward.
- Place the toekick, vent and screws out of the way so you will have them for reinstallation.



STEP 7 LEVEL REFRIGERATOR

All models have 4-point leveling. The front is supported by leveling legs; the rear is supported by adjustable wheels. Both are accessible from the front of the refrigerator.

- To level the back of the refrigerator, turn the 5/16" hex nut located above the front wheels. Turn counter clockwise to raise or clockwise to lower the refrigerator.
- For front leveling, use a 1-5/16" open-end wrench.
- Adjust height of refrigerator to match installation cutout opening. The refrigerator should be level and plumb with cabinetry.



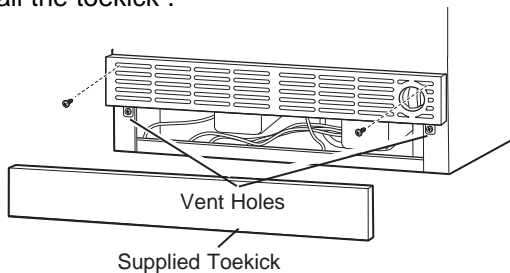
NOTICE: The rear leveling wheels and front leveling legs are limited to a maximum height adjustment of 1". If the installation requires more than 84-1/2" height, the installer should elevate the refrigerator on a sheet of plywood or runners. Cabinetry trim could also be added across the top of the opening to shorten the opening.

If you attempt to raise the refrigerator more than 1", you will damage the front leveling legs and the rear leveling wheels.

Installation Instructions

STEP 8 INSTALL TOEKICK AND VENT

- Locate the toekick, vent and screws (removed earlier).
- A custom toekick can be installed to match or complement the surrounding cabinetry. Use the supplied toekick as a template.
- Reinstall the vent using the screws removed earlier.
- Reinstall the toekick .



STEP 9 REVERSE DOOR SWING (if needed)

Skip this step if door swing is satisfactory.

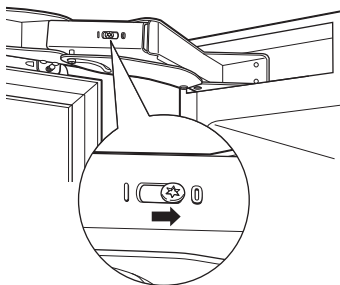
⚠ WARNING Follow all steps when reversing the door swing. Failure to follow these instructions, leaving off parts, or overtightening screws, can lead to the door falling off and result in injury and property damage.

1. Open the fresh food door.

⚠ WARNING  **Door Hinge Pinch Point Hazard**

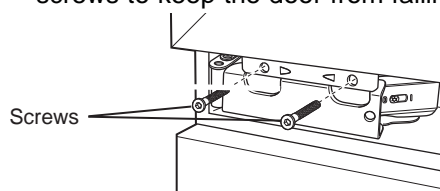
This next step is important for safe handling of an unloaded hinge. Do not skip step 2.

2. Release the hinge springs by using a Torx T-20 wrench to loosen the Torx screw from | to 0 on both hinges. Close the door.

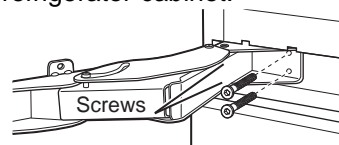


STEP 9 REVERSE DOOR SWING (if needed) (cont.)

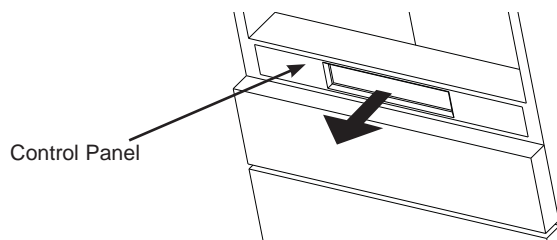
3. Using a 5/32" Allen wrench, remove the 2 screws per hinge that secure the door to the refrigerator. Have someone hold the door while removing these screws to keep the door from falling.



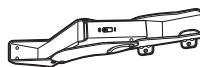
4. Open the hinges. Using a 5/32" Allen wrench, remove the 2 screws per hinge that secure the hinge to the refrigerator cabinet.



5. Remove the trim and hinge pocket from the top of the refrigerator and install on the opposite sides.
6. Remove the trim and hinge pocket from the bottom of the fresh food compartment. Remove the control panel and gently place in the FZ drawer.



7. Reinstall the control panel.
8. The hinges will be reinstalled in opposite corners. The hinge from the top will be turned over and installed at the bottom of the fresh food compartment. The hinge from the bottom will be turned over and installed at the top of the fresh food compartment.

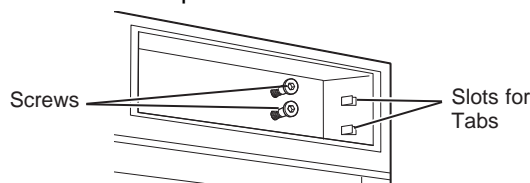


Top Hinge



Bottom Hinge

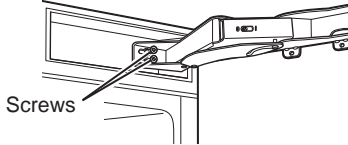
9. Install the screws on the fresh food compartment cabinet in all 4 places. Screw them in about halfway.



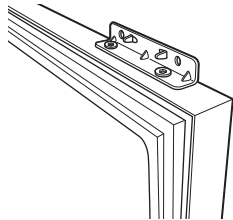
Installation Instructions

STEP 9 REVERSE DOOR SWING (cont).

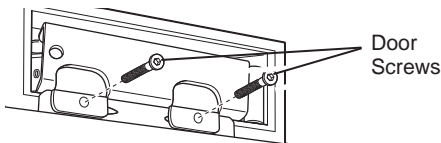
10. To install the top hinge, turn the hinge in the proper direction—the section of the bracket that will be attached to the door should be at the bottom of the hinge. Slide the hinge over the screws and seat the tabs into the hinge pocket. Tighten the screws.



11. To install the bottom hinge, turn the hinge in the proper direction—the section of the bracket that will attach to the door should be at the top of the hinge. Slide the hinge over the screws and seat the tabs into the hinge pocket. Tighten the screws. Close the hinge.
12. Remove the hinge brackets from the door and reinstall them on the opposite end, top and bottom.

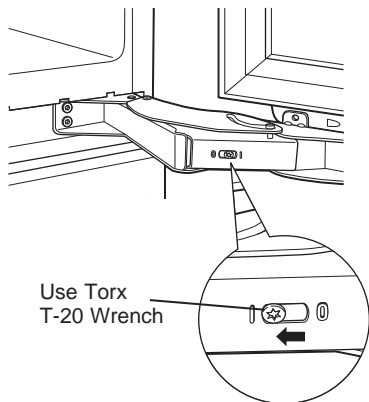


13. With another person holding the door in place, align the holes in the door hinge bracket with the holes in the hinge. Install the screws to the top hinge first.



14. Install screws on the bottom hinge next.

15. Using a Torx T-20 wrench, tighten the tension on the hinge springs by turning the screws from 0 to |.

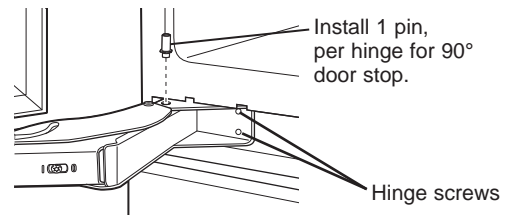


STEP 10 ADJUST DOOR SWING (if needed)

NOTE: This refrigerator has a 2-position door stop. When space does not allow the door to swing to 115°, you may limit the door swing to a 90°

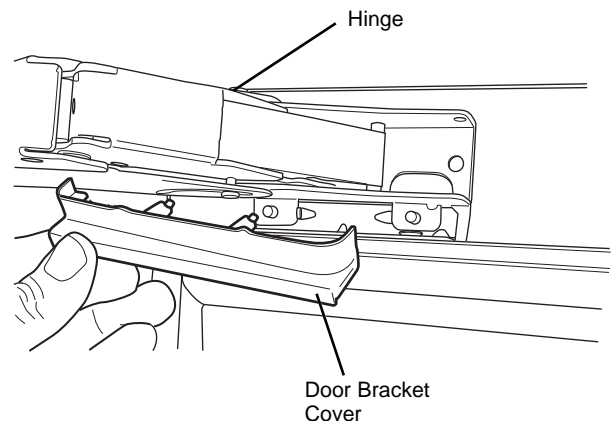
Skip this step if door opening is satisfactory for your installation situation.

- Open the fresh food door to access the top and bottom hinges.
- Loosen the bottom hinge screws that attached to the unit
- Pull hinge forward slightly & insert hinge pin into the hole nearest the unit.
- You may need to use a small hammer to fully seat them in place.
- Retighten hinge screws.
- Repeat for top hinge.



STEP 11 INSTALL DOOR BRACKET COVERS (on some models)

Install covers to hide the brackets near the hinges on the top and bottom of the door. The covers snap in place.

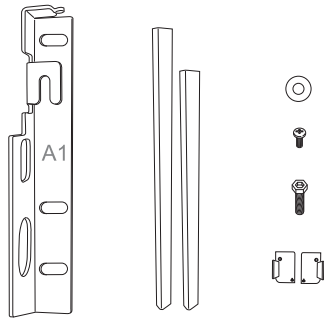


Installation Instructions

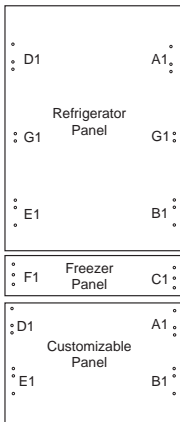
STEP 12 INSTALL DOOR AND DRAWER PANELS

1. Remove all door and drawer panel hardware and trim from the refrigerator.

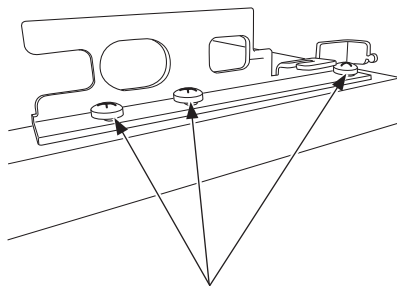
Item	Quantity
Panel Brackets	12
Phillips Machine Screws (for use with SS Panel Accessory)	34
Allen Hex Socket Head Screws	12
Washers	12
Door Trim	6
Trim Caps	12
Allen Wrench	2



2. Attach A1 - F1 brackets to the door panels in the locations identified below. Custom panels must have pre-drilled holes as shown in Door Panel Templates: 31-1000149, 31-1000150, 31-1000151, 31-1000152. If you purchased an SS Panel Accessory, use the Phillips machine screws to attach the brackets to the SS door panels. For custom panels, use an appropriate wood screw.

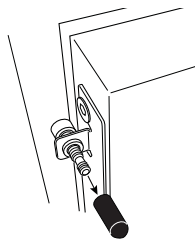


Back View of Panels

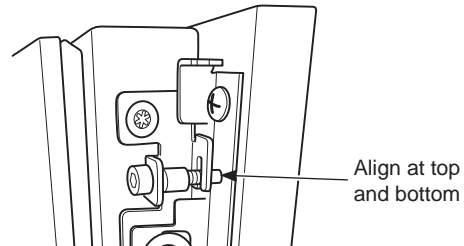


Do not tighten the screws, you will do that after assembly process and left to right alignment.

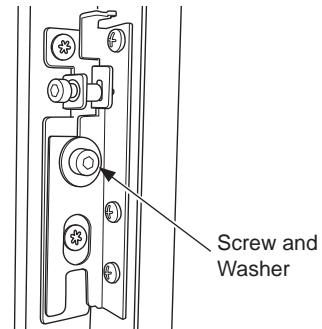
3. If you had custom handles made and they are not currently attached to your panels, do so now.
4. Remove the screw caps from the adjustment pins on the doors.



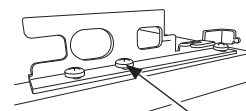
5. Open the fresh food door to attach the fresh food panel.
6. Rest the fresh food panel on the fresh food door by aligning the hooks on the panel brackets with the adjustment pins on the door.



7. Fasten the panel to the fresh food door in four locations using the hardware shown below. Do not tighten the screws. Screws will be tightened after panel alignment.

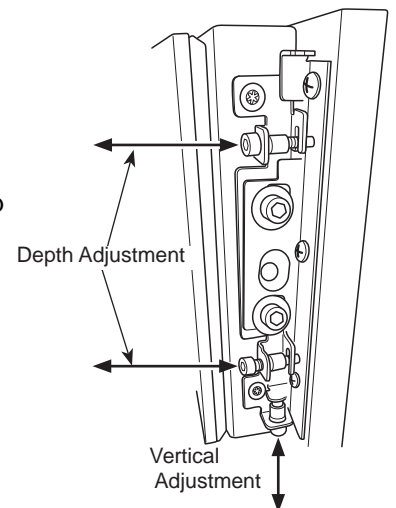


8. Shift the panel side to side to ensure even gaps with the adjacent cabinetry on both sides.



Tighten one screw per bracket. The other screws will be tightened at the end of the alignment process.

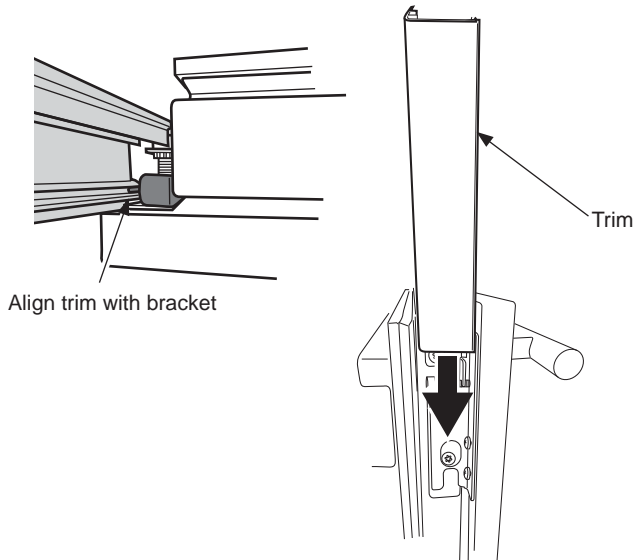
9. Use an allen wrench to adjust the fresh food door panel depth and height to align with the adjacent cabinetry. There must be a minimum 1/8" gap between the panel and the adjacent cabinetry.



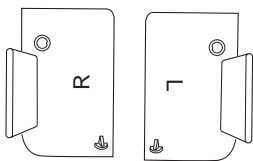
Installation Instructions

STEP 12 INSTALL DOOR AND DRAWER PANELS (cont.)

10. Repeat steps 5-9 for the freezer drawer.
11. Repeat steps 5-9 for the customizable drawer.
12. Tighten all screws once you are satisfied with the panel alignment.
13. Slide on trim to hide the panel adjustment hardware.

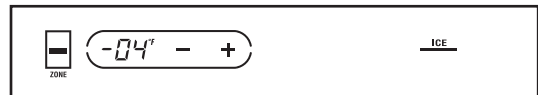


14. Add trim caps to cover the ends of the trim.

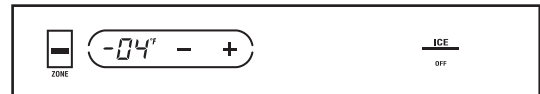


STEP 13 START ICEMAKER

- Press the zone indicator on the control pad twice to select the freezer drawer. Press the ICE icon on the right side of the control. A line will appear under ICE to show that the icemaker is ON.
- Be sure nothing interferes with the sweep of the feeler arm.
- Discard the first full bucket of ice cubes.



- To turn the icemaker off, press the ICE icon. The word OFF appears below ICE to show that the icemaker is OFF.



Notes

Installation Instructions back page.

NOTE: While performing installations described in this book, safety glasses or goggles should be worn.

NOTE: Product improvement is a continuing endeavor at Monogram. Therefore, materials, appearance and specifications are subject to change without notice.



MONOGRAM



INSTRUCTIONS D'INSTALLATION

Réfrigérateur à 2 tiroirs et congélateur en bas de 30 po

FRANÇAIS

MONOGRAM.COM

Consignes de Sécurité

AVANT DE COMMENCER

Veillez lire toutes ces instructions attentivement.

- **IMPORTANT** — Conservez ces instructions à l'usage de l'inspecteur local. Observez tous les codes et décrets en vigueur.
- **Note à l'installateur** — Assurez-vous de laisser ces instructions au consommateur.
- **Note au consommateur** - Conservez ces instructions avec votre manuel d'utilisation pour consultation ultérieure.

Si vous avez reçu un appareil endommagé, veuillez communiquer immédiatement avec votre revendeur ou votre entrepreneur.

Niveau de compétence — L'installation de cet appareil exige des compétences de base en mécanique, menuiserie et plomberie. La responsabilité d'une installation adéquate relève de l'installateur. La garantie Monogram ne couvre pas les défauts du produit causés par une installation inadéquate. Consultez le manuel d'utilisation pour des renseignements sur la garantie.

AVERTISSEMENT Risque d'électrocution.

Branchez l'appareil dans une prise à 3 broches mise à la terre. N'enlevez pas la broche de mise à la terre. N'utilisez pas un adaptateur.

Cessez immédiatement l'utilisation d'un cordon électrique endommagé. Si le cordon électrique est endommagé, son remplacement doit être exécuté par un technicien en réparation qualifié au moyen d'un cordon de rechange autorisé par le fabricant.

N'utilisez pas un cordon de rallonge avec cet électroménager. Le non-respect de ces instructions peut occasionner un décès, un incendie ou un choc électrique. Suivez les instructions de la section Mise à la terre de l'appareil. Le circuit électrique auquel cet électroménager sera raccordé doit comporter un disjoncteur ou un autre dispositif permettant de couper l'alimentation électrique à l'appareil après l'installation.

AVERTISSEMENT Risque de basculement.

Ces électroménagers sont lourds du haut, notamment lorsqu'une porte est ouverte, de sorte qu'ils doivent être fixés pour prévenir un basculement vers l'avant susceptible d'occasionner des blessures graves ou la mort. Lisez et observez la totalité des instructions d'installation pour connaître la façon de fixer l'électroménager sur le dispositif antibasculement.

AVERTISSEMENT Risque d'explosion.

Gardez les matières et les vapeurs inflammables telles que l'essence à distance de l'électroménager. L'omission de prendre cette précaution peut entraîner un incendie, une explosion ou la mort.

AVERTISSEMENT Pour réduire le risque d'étouffement pendant l'installation de ce produit, ne pas laisser les petites pièces à la portée des enfants âgés de moins de 3 ans.

AVERTISSEMENT Risque lié à la manipulation d'un objet lourd

Cet appareil est très lourd. Afin de réduire le risque de blessure pendant la manipulation et l'installation de cet électroménager, la participation de 3 personnes est nécessaire à l'exécution d'une installation correcte.

AVERTISSEMENT Gardez vos doigts éloignés des points de pincement. Les espaces entre les portes et ceux entre les portes et l'armoire sont particulièrement restreints. Soyez prudent lorsque vous fermez les portes en présence d'enfants.

Pour joindre le service Monogram de votre région, visitez monogram.com

Pour le service Monogram au Canada, visitez monogram.ca

Pour le service des Pièces et accessoires Monogram, visitez monogram.com/use-and-care/parts

Pour le service des Pièces et accessoires Monogram au Canada, visitez monogra.ca

Safety Information

⚠️ AVERTISSEMENT



RISQUE D'EXPLOSION Fluide frigorigène inflammable

Cet électroménager contient le réfrigérant isobutane, R600a, un gaz naturel à compatibilité élevée avec l'environnement. Il s'agit cependant d'un combustible. Observez les consignes de sécurité ci-dessous afin de réduire le risque de blessure ou de dommage à la propriété.

- 1) Lors de la manipulation, de l'installation et de l'utilisation de cet appareil, prenez soin de ne pas endommager les tubes de circulation du fluide frigorigène.
- 2) L'entretien ou la réparation doivent être effectués par un personnel de service autorisé. Utilisez seulement des pièces de rechange autorisées par le fabricant.
- 3) Mettez le réfrigérateur au rebut conformément aux réglementations fédérales et locales. Le fluide frigorigène inflammable et le matériel isolant utilisés nécessitent des procédures de mise au rebut spéciales. Communiquez avec les autorités locales compétentes pour la mise au rebut de votre réfrigérateur sans danger pour l'environnement.
- 4) N'obstruez pas les événements dans l'enceinte prévue pour l'appareil.
- 5) N'utilisez pas d'appareils ou autres moyens mécaniques pour accélérer le processus de dégivrage.
- 6) N'endommagez pas le circuit du fluide frigorigène.
- 7) N'utilisez pas d'appareils électriques dans le compartiment réfrigérateur de cet appareil.

Matières

Guide de conceptio

Dimensions de l'enceinte	4
Refrigerator Dimensions	5
Enceinte pour le réfrigérateur	6
Mise à la terre du réfrigérateur	6
Ouverture de porte à 115°	7
Ouverture de porte à 90°	8
Accessoires et dimensions des panneaux en acier inoxydable	9
Dimensions d'un panneau sur mesure de 3/4 po	10

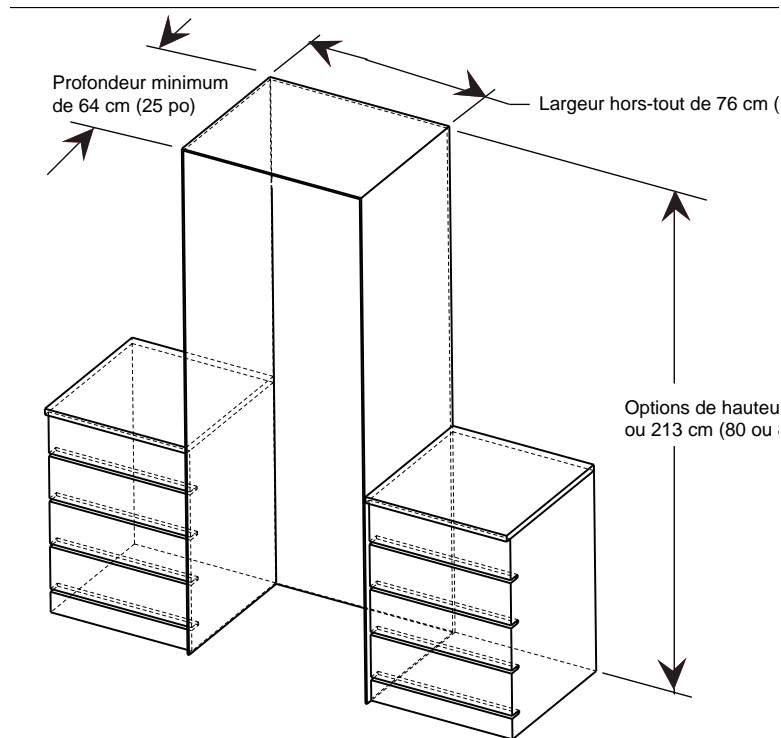
Instructions d'installation

Outils, quincaillerie et matériaux	11
Étape 1. Remove Packaging	12
Étape 2. Connect conduite d'eau	13
Étape 3. Connect conduite d'eau	13

Étape 4. Branchement de l'alimentation électrique	13
Étape 5. Mise à niveau du réfrigérateur	14
Étape 6. Remove Toekick and Vent	14
Étape 7. Branchement de l'alimentation électrique	14
branchement de l'alimentation électrique	14
Étape 8. Inversion de l'ouverture de porte	15
Étape 9. Inversion de l'ouverture de porte	15
Étape 10. Réglage de l'ouverture de porte	16
Étape 11. Installation des panneaux de porte et de tiroir	18
Étape 12. Mise en marche de la machine à glaçons	18
Position de l'insigne monogram	19

Guide de conception

Dimensions de l'enceinte pour instructions d'installation du réfrigérateur encastré



L'ouverture découpée doit avoir une profondeur minimale de 25 po pour un montage sans renforcement.

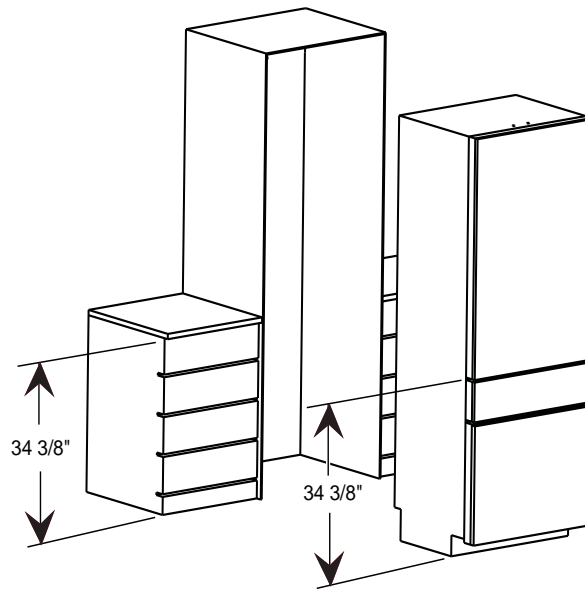
- La face avant du réfrigérateur doit être au même niveau que les meubles adjacents avec une profondeur de 25 po.
- Le réfrigérateur peut s'intégrer dans une enceinte d'une hauteur entre 79-1/2 po et 84-1/2 po. Toutefois, le réfrigérateur peut seulement être surélevé à une hauteur de 80-3/8 po.
- Le panneau du compartiment réfrigérateur peut être fabriqué de façon à couvrir la hauteur supplémentaire; voir page 11.



Conseil de conception: Nous recommandons de faire terminer la surface intérieure de l'enceinte à une distance minimale de 4 po de la face avant.



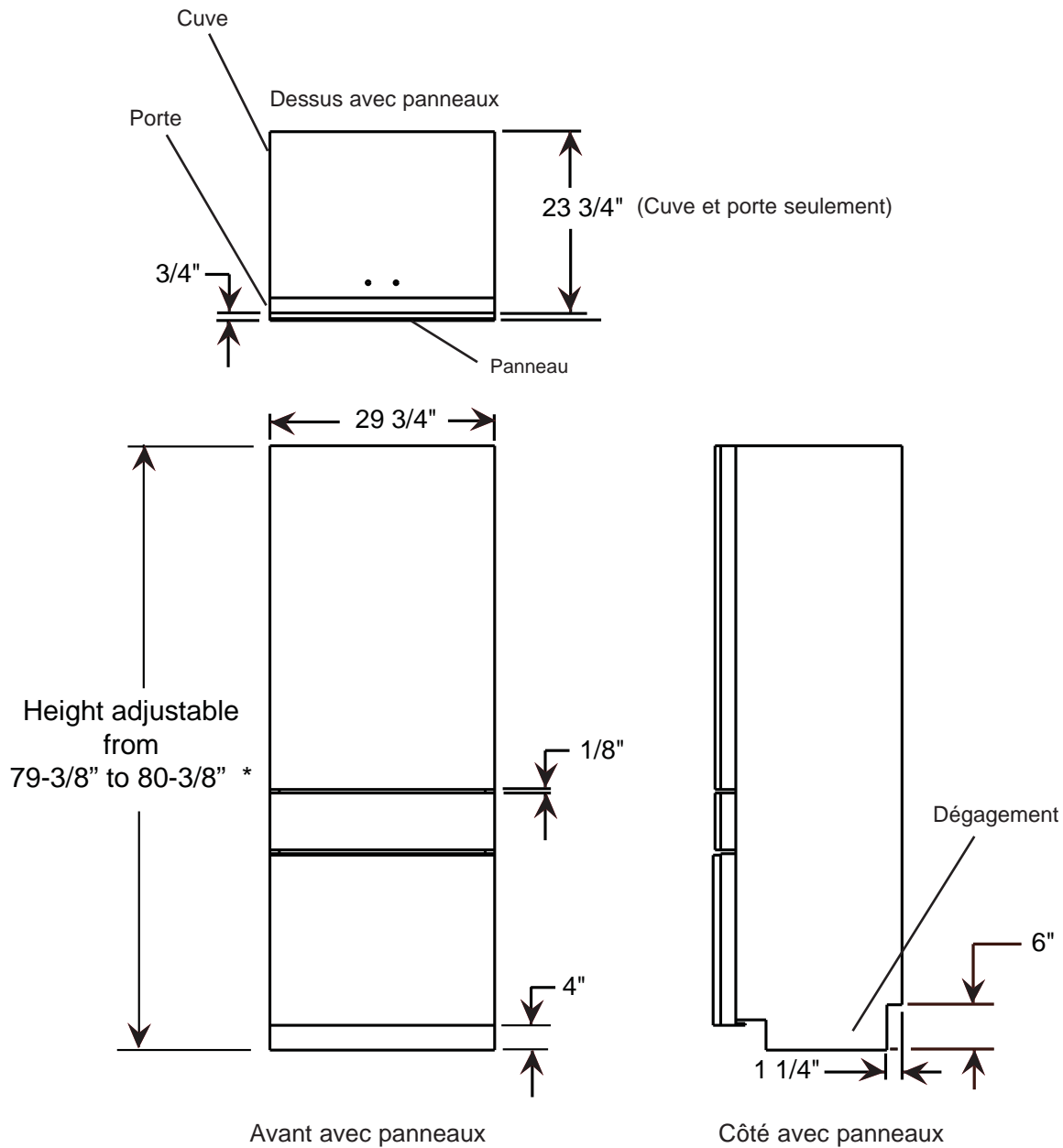
Conseil de conception: Si une enceinte d'une hauteur de 84 po est utilisée, pensez à utiliser une bordure de finition au-dessus de la cuve du réfrigérateur.



Conseil de conception: Il est possible d'aligner le tiroir du réfrigérateur avec le meuble adjacent pour un fini complètement encastré.

Guide de conception

Dimensions du réfrigérateur avec des panneaux de 3/4 po



* Le réfrigérateur peut être adapté pour s'encaster dans une enceinte de $83 \frac{3}{8}$ po à $84 \frac{3}{8}$ po avec le jeu de panneaux de porte approprié.

Dégagements pour l'installation		
Dessus 1/8po / 3mm	Chaque côté 1/4po / 6mm	Arrière 1/2po / 12mm

Guide de conception

ENCEINTE POUR LE RÉFRIGÉRATEUR

Emplacement des branchements électriques et des branchements à l'alimentation d'eau.

Les alimentations électrique et en eau doivent être placées dans les parties grisées comme indiqué sur le schéma ci-contre.

⚠ AVERTISSEMENT Raccordez l'appareil à une alimentation d'eau potable seulement.

PRÉPARATION DEL'INSTALLATION DU TUYAU D'EAU

- Une alimentation d'eau froide est requise pour faire fonctionner la machine à glaçons automatique. La pression de l'alimentation d'eau doit rester dans une gamme de pression entre 40 et 120 p.s.i. (275-827 kPa).
- Faites passer le tuyau d'1/4 po en cuivre ou le tuyau en plastique SmartConnect™ entre la conduite d'eau froide du domicile et le raccord de branchement d'eau.
- Le tuyau doit être suffisamment long pour atteindre l'avant du réfrigérateur. Prévoyez une longueur de tuyau suffisante pour prendre en compte la courbe menant au raccord à la conduite d'eau.
- Le tuyau d'eau peut passer par une ouverture dans le sol ou dans le mur du fond.
- Installez un robinet entre le robinet de la machine à glaçons et le tuyau d'alimentation en eau froide du domicile.

REMARQUE:

- Le robinet doit être placé dans un endroit facilement accessible. Il n'est pas recommandé de le placer derrière l'appareil à cause de l'accès difficile. S'il est nécessaire d'installer un robinet derrière l'appareil, il doit être installé dans les zones grisées du schéma.
- Les robinets de type vanne à étrier sont souvent inclus dans les trousse de branchement de l'alimentation d'eau, mais ne sont pas recommandés pour cette application.
- Les seuls tuyaux en plastique autorisés par GEA sont fournis avec la trousse de tuyauterie pour réfrigérateur SmartConnect™. N'utilisez pas d'autres tuyaux d'alimentation d'eau en plastique, cette ligne étant sous pression en permanence. Certains types de plastique peuvent se fissurer ou se rompre avec le vieillissement et causer des dégâts d'eau dans votre maison. Les trousse de tuyauterie pour réfrigérateur SmartConnect™ sont disponibles dans les longueurs suivantes:
6 pi (1,8 m) WX08X10006, 15 pi (4,6 m) WX08X10015 & 25 pi (7,6 m) WX08X10025
- L'installation sera conforme aux codes de plomberie 248CMR du Commonwealth du Massachusetts. L'utilisation de robinets-vannes à étrier est interdite au Massachusetts. Demandez l'avis de votre plombier qualifié. Emplacement pour la patte antibasculement. N'obstruez pas cette zone. Branchement électrique et branchement à l'alimentation d'eau. Vue de face de l'enceinte d'installation

Caractéristiques électriques

- Une alimentation électrique de 115 volts, 60 Hz et de 15 à 20 ampères est demandée. L'utilisation d'un circuit de dérivation individuel correctement mis à la terre ou d'un disjoncteur est recommandée.
- Installez un boîtier électrique à 3 fiches correctement branché à la terre et encastré dans le mur du fond. La prise électrique doit être située sur le mur du fond comme indiqué.

REMARQUE: L'utilisation d'un disjoncteur de fuite de terre n'est pas recommandée.

MISE À LA TERRE DU RÉFRIGÉRATEUR

⚠ AVERTISSEMENT  **Risque d'électrocution**

Le non-respect de ces instructions peut occasionner un décès, un incendie ou un choc électrique

Le cordon d'alimentation de cet appareil est équipé d'une fiche à trois broches (pour une mise à la terre) qui s'adapte à la prise de courant standard à 3 broches (pour une mise à la terre) pour minimiser les risques de chocs électriques par cet appareil. Faites vérifier la prise murale et le circuit électrique par un électricien qualifié pour s'assurer que le système est correctement mis à la terre.

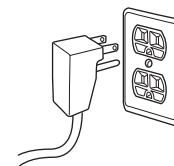
Dans le cas d'une prise biphasée, l'installateur a la responsabilité et l'obligation de la remplacer par une prise triphasée correctement mise à la terre.

Si une prise murale standard 2-broches, il est de votre responsabilité personnelle et l'obligation de la faire remplacer par une prise murale à 3 broches mise à la terre.

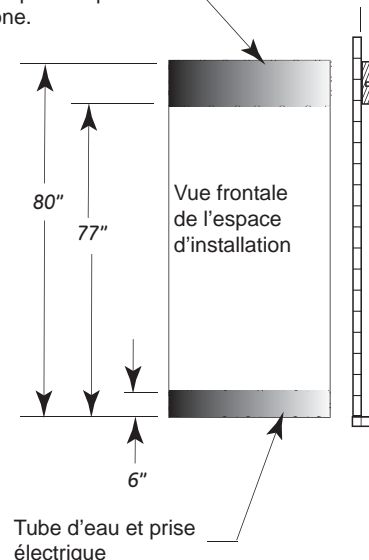
NE COUPEZ PAS OU N'ENLEVEZ PAS, SOUS AUCUN PRÉTEXTE, LA TROISIÈME BROCHE DE MISE À LA TERRE DU CORDON D'ALIMENTATION.

N'UTILISEZ PAS D'ADAPTATEUR POUR BRANCHER LE RÉFRIGÉRATEUR À UNE PRISE BIPHASÉE.

N'UTILISEZ PAS DE RALLONGE AVEC CET APPAREIL.



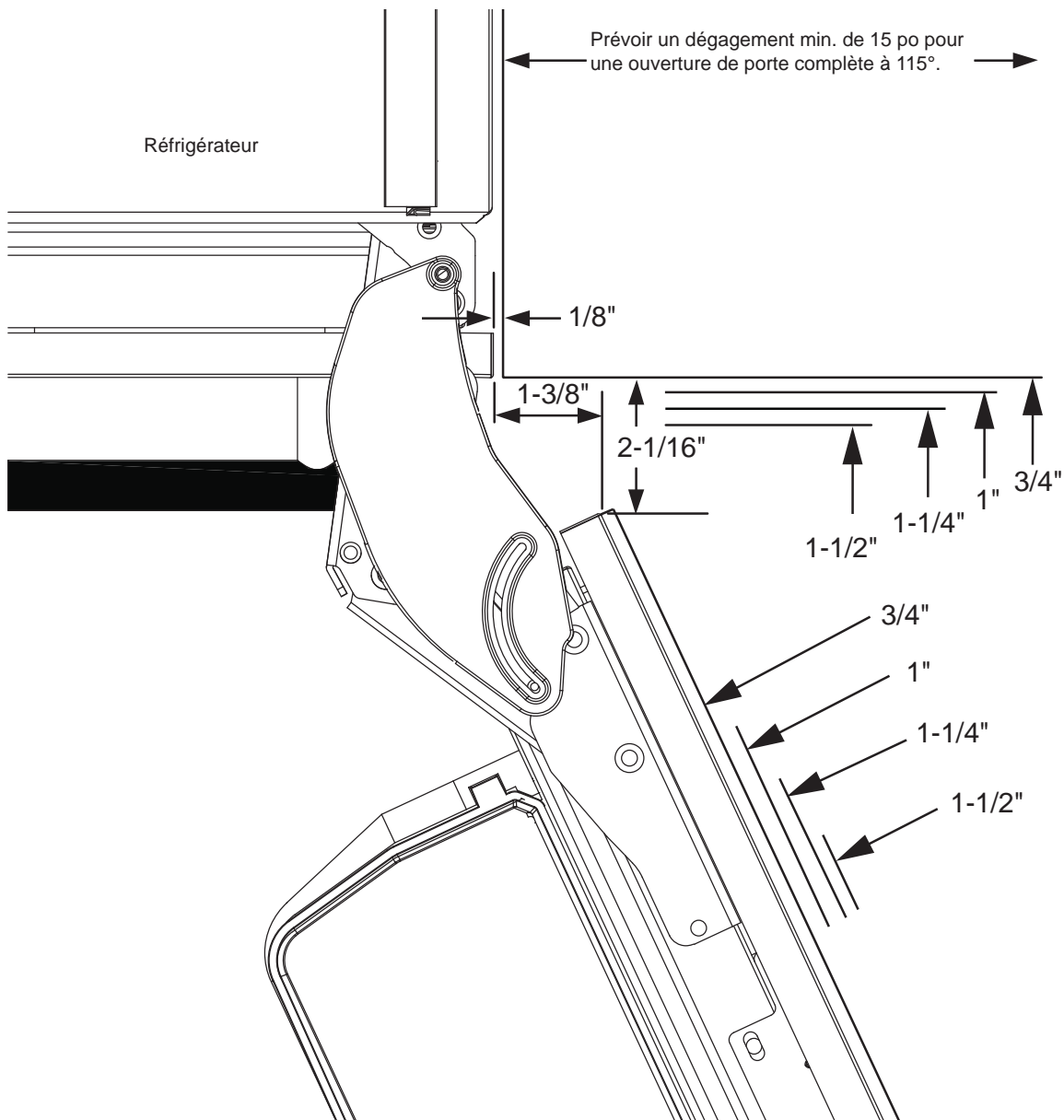
Emplacement du dispositif antibasculement. Ne pas bloquer cette zone.



Guide de conception

Dégagements

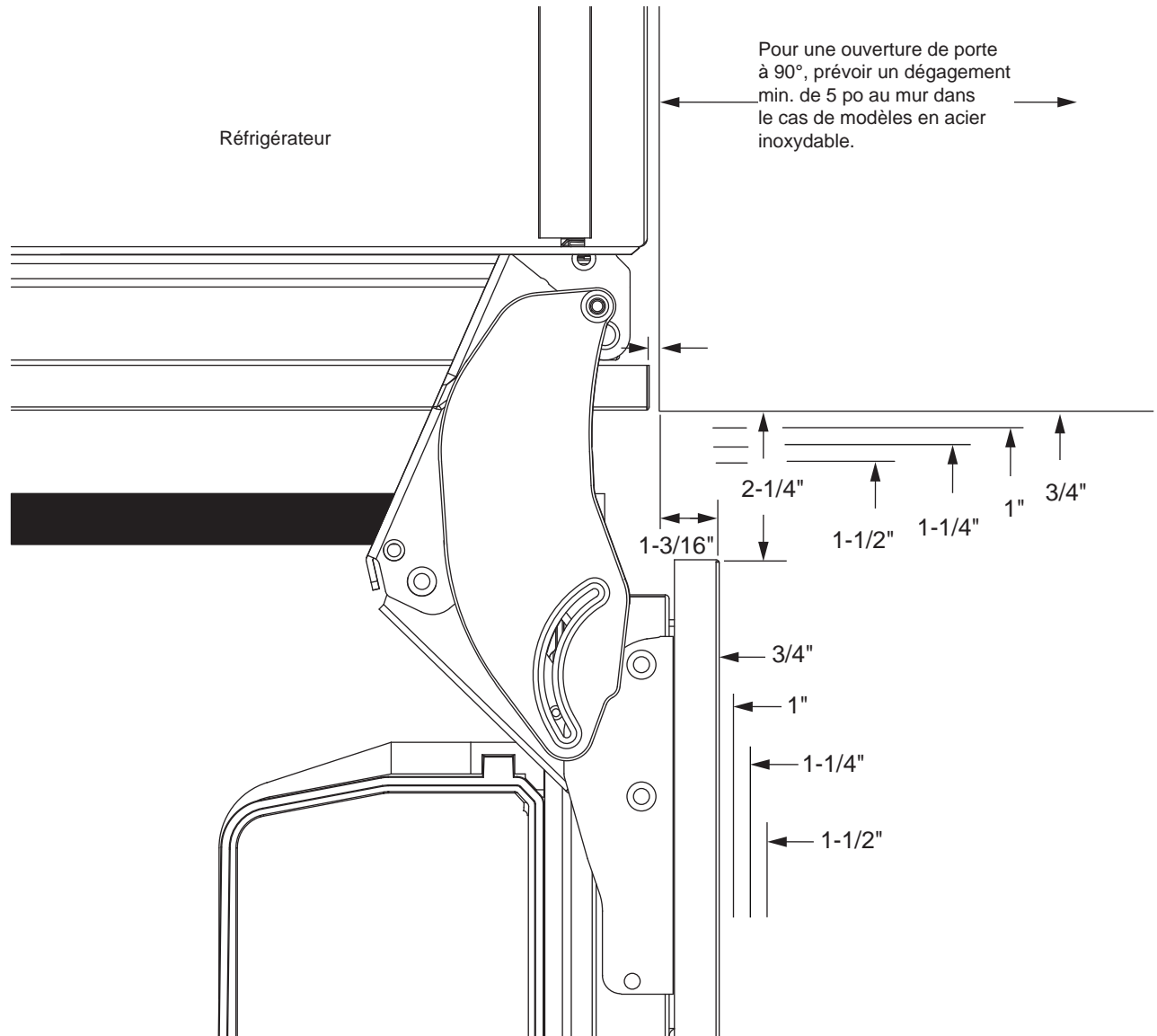
Ces réfrigérateurs sont équipés d'une butée de porte à deux positions. L'ouverture de porte réglée en usine à 115° peut être réduite à 90° si les dégagements par rapport aux meubles ou murs adjacents sont restreints. Ouverture de la porte à 90°, voir page 8.



Acier inoxydable ou sur mesure
Coupe horizontale OUVERTURE DE
PORTE À 115°(réglage d'usine)

Non à l'échelle

Guide de conception



Acier inoxydable ou sur mesure
Coupe horizontale OUVERTURE DE
PORTE À 90°(réglages en option)

Non à l'échelle

Guide de conception

ACCESSOIRES ET DIMENSIONS DES PANNEAUX EN ACIER INOXYDABLE

Option : panneau de porte massif de ¾ po d'épaisseur

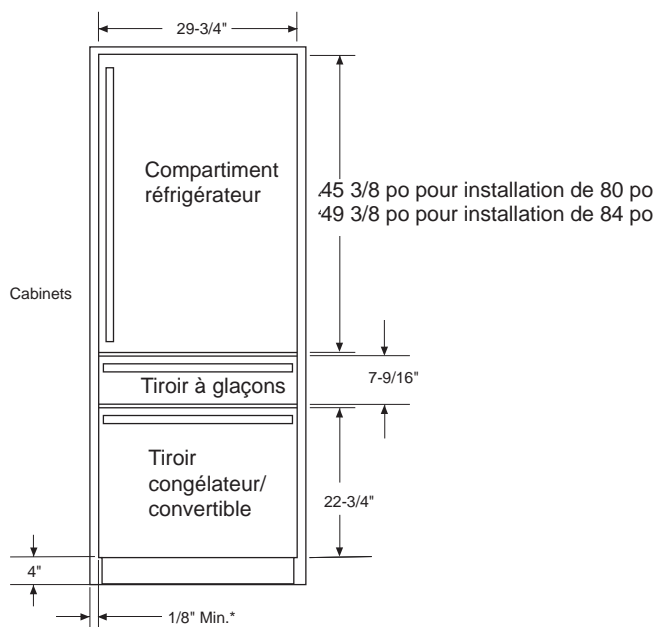
Pour une installation d'une hauteur de 80 po

- Encastré avec poignée gauche - Modèle ZKSSN809NLH
- Encastré avec poignée droite – Modèle ZKSSN804NRH

Pour une installation d'une hauteur de 84 po (Le panneau de porte n'est pas réversible pour les installations à 84 po. Il est nécessaire d'acheter un autre accessoire de panneau de porte pour poignée à gauche ou à droite.)

- Encastré avec poignée gauche - Modèle ZKSSN849NLH
- Encastré avec poignée droite – Modèle ZKSSN844NRH

REMARQUE: Chaque trousse contient également des panneaux, des poignées et une plinthe assortis pour le congélateur et le tiroir convertible.



*Il doit y avoir un dégagement minimum d'1/8 po entre les panneaux et les meubles de cuisine adjacents.

Accessoires en option #:

- Trousse d'installation côte-à-côte –ZUG30
- Trousse de poignées Minimalist Collection: ZKGC3H3CNSS
- Trousse de poignées Statement Collection: ZKGC3H3PNSS

Option : Cadre de ¾ po d'épaisseur pour porte en verre

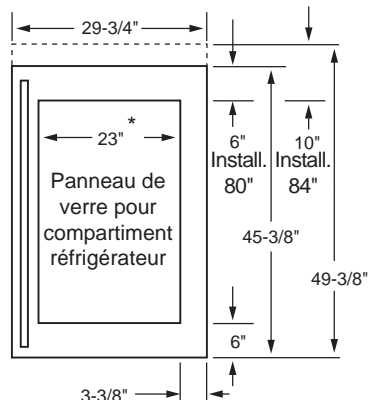
Pour une installation d'une hauteur de 80 po

- Encastré avec poignée gauche – Modèle ZKGSN809NLH
- Encastré avec poignée droite – Modèle ZKGSN804NRH

Pour une installation d'une hauteur de 84 po (Le panneau de porte n'est pas réversible pour les installations à 84 po. Il est nécessaire d'acheter un autre accessoire de panneau de porte pour poignée à gauche ou à droite.)

- Encastré avec poignée gauche – Modèle ZKGSN849NLH
- Encastré avec poignée droite – Modèle ZKGSN844NRH

REMARQUE: Chaque option contient également des panneaux, des poignées et une plinthe assortis pour le congélateur et le tiroir



Guide de conception

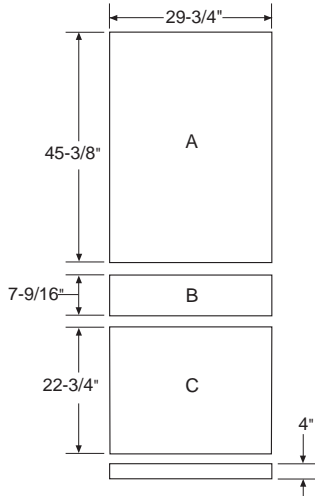
DIMENSIONS D'UN PANNEAU SUR MESURE DE 3/4 po Installation totalement encastrée de 80 po de hauteur

En cas d'installation de panneaux sur mesure, ceux-ci doivent être coupés aux dimensions indiquées. Les panneaux se fixeront à la porte et aux tiroirs à l'aide d'un système de crochets et de pattes.

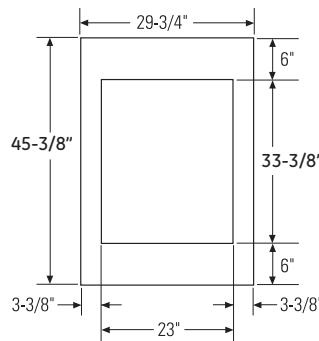
TRÈS IMPORTANT: panneaux en bois sur mesure doit être d'au moins 3/4 "d'épaisseur où les crochets et le matériel de fixation sont attachés Reportez-vous à des modèles pour le crochet et le lieu de fixation.

REMARQUE: Ce produit est conçu pour être utilisé avec des panneaux en bois de 3/4 po. Dimensions maximales de l'ouverture pour une vitre en verre : 33-3/8 po x 23 po. L'ouverture peut être plus petite si vous le souhaitez.

PANNEAUX POUR PORTES ET TIROIRS MASSIFS



PANNEAUX POUR PORTE EN



REMARQUE IMPORTANTE: Poids maximal du panneau:

- A** Panneau de porte du compartiment réfrigérateur : 33 livres (15 kg).
- B** Panneau du tiroir congélateur : 9 livres (4 kg).
- C** Panneau du tiroir convertible : 19 livres (9 kg).

*Les styles doivent être d'au moins 3-3/8 po pour recouvrir le cadre de porte en aluminium.



Conseil de conception: Une partie de chaque panneau sera visible du côté intérieur de l'appareil. Il est recommandé que la finition soit faite de chaque côté du panneau.



Conseil de conception: En cas d'utilisation de panneaux sur mesure, il est important de penser à une plinthe sur mesure. Le bas de la cuve est de couleur blanche.

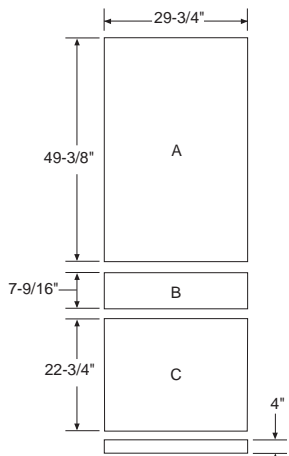
DIMENSIONS D'UN PANNEAU SUR MESURE DE 3/4 po: Installation totalement encastrée de 84 po de hauteur

En cas d'installation de panneaux sur mesure, ceux-ci doivent être coupés aux dimensions indiquées. Les panneaux se fixeront à la porte et aux tiroirs à l'aide d'un système de crochets et de pattes.

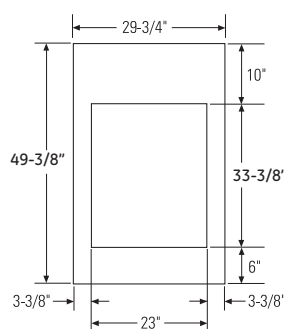
TRÈS IMPORTANT: panneaux en bois sur mesure doit être d'au moins 3/4 "d'épaisseur où les crochets et le matériel de fixation sont attachés Reportez-vous à des modèles pour le crochet et le lieu de fixation.

REMARQUE: Ce produit est conçu pour être utilisé avec des panneaux en bois de 3/4 po. Dimensions maximales de l'ouverture pour une vitre en verre : 33-3/8 po x 23 po. L'ouverture peut être plus petite si vous le souhaitez.

PANNEAUX POUR PORTES ET TIROIRS MASSIFS



PANNEAUX POUR PORTE EN VERRE



REMARQUE IMPORTANTE: Poids maximal du panneau:

- A** Panneau de porte du compartiment réfrigérateur : 33 livres (15 kg).
- B** Panneau du tiroir congélateur : 9 livres (4 kg).
- C** Panneau du tiroir convertible : 19 livres (9 kg).

*Les styles doivent être d'au moins 3-3/8 po pour recouvrir le cadre de porte en aluminium.



Conseil de conception: Une partie de chaque panneau sera visible du côté intérieur de l'appareil. Il est recommandé que la finition soit faite de chaque côté du panneau.



Conseil de conception: En cas d'utilisation de panneaux sur mesure, il est important de penser à une plinthe sur mesure. Le bas de la cuve est de couleur blanche.

Instructions d'installation

OUTILS REQUIS

- Clé Allen de 5/32 po
- Couteau à lame rétractable
- Escabeau
- Seau
- Niveau
- Diable
- Coupe-tube
- Clé anglaise de 7/16 po
- Clé anglaise de 1-1/4 po
- Tournevis Phillips cruciforme #2
- Perceuse et jeu de forets
- Douille 5/16 po
- Lunettes de sécurité
- Pincés
- Cliquet 3/8 po
- Torx T-20, T-30 clé

QUINCAILLERIE FOURNIE

- Patte anti-basculement et vis
- Trousse d'installation de panneau
- Gabarits de panneau de porte - Pub # 31-1000149, 31-1000150, 31-1000151, 31-1000152
- Filtre à eau - Pièce # GSWF
- Brides d'ancrage et vis pour cloison sèche

ÉQUIPEMENT REQUIS

- Tuyau d'alimentation d'eau en cuivre d' ¼ po ou trousse pour réfrigérateur GE SmartConnect™
- Robinet d'arrêt d'eau
- Panneaux sur mesure pour la porte du compartiment réfrigérateur, pour le tiroir congélateur et pour le tiroir convertible
- Velcro avec côté adhésif pour la plinthe sur mesure.

SOL

Pour obtenir une installation correcte, le réfrigérateur doit être placé sur une surface horizontale en matériau dur qui est au même niveau que le reste du sol. Cette surface doit être suffisamment solide pour supporter le poids d'un réfrigérateur rempli, soit environ 1,200 livres (550 kg).

REMARQUE: Protégez la finition du sol. Découpez un grand morceau de carton et placez-le sous le réfrigérateur sur l'aire de travail.

EMPLACEMENT DU RÉFRIGÉRATEUR/ CONGÉLATEUR

- N'installez pas le réfrigérateur/congélateur à un endroit où la température est susceptible de descendre en dessous de 55 °F (13 °C). L'appareil ne fonctionnera pas suffisamment souvent pour maintenir les températures appropriées.
- N'installez pas le réfrigérateur/congélateur à un endroit où la température dépassera 100 °F (37 °C). L'appareil ne fonctionnera pas correctement.
- N'installez pas le réfrigérateur/congélateur dans un endroit exposé à l'eau (pluie, etc.) ou aux rayons directs du soleil.
- Installez l'appareil sur un plancher suffisamment robuste pour supporter son poids à pleine capacité.

Instructions d'installation

ÉTAPE 1 RETRAIT DE L'EMBALLAGE

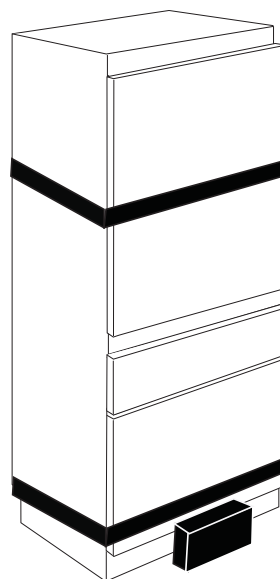
⚠ AVERTISSEMENT



Risque de basculement.

Cet électroménager est lourd du haut. Usez d'extrême prudence en le déplaçant afin de prévenir un basculement susceptible d'occasionner des blessures graves ou la mort.

- Coupez les courroies et le ruban adhésif sur le haut et sur le bas de l'emballage à l'aide d'un couteau à lame rétractable.
- Dépliez le carton d'emballage et retirez le haut de l'emballage.
- Retirez le reste de l'emballage en le faisant glisser de l'appareil. Vous pouvez utiliser un couteau polyvalent pour retirer le reste du carton d'emballage EN PRENANT SOIN de ne pas rayer l'appareil.
- Retirez les supports en Styrofoam de l'appareil.
- NE retirez PAS la courroie maintenant la porte ou la partie inférieure avant que l'appareil ne soit prêt à être installé dans son enceinte.
- Découpez la palette en PSE sur les côtés avant par l'arrière de l'appareil.
- Poussez l'appareil vers l'avant et retirez la partie arrière de la palette en PSE.
- Posez doucement l'arrière de l'appareil sur le sol.
- Penchez légèrement l'appareil vers l'arrière et retirez la partie avant de la palette en PSE.
- Mettez correctement au rebut les matériaux d'emballage non-utilisés.
- Il est maintenant possible pour 2 personnes de déplacer l'appareil à l'aide du diable ou de le faire rouler jusqu'à un emplacement au sol correctement protégé.
- Laissez tout film protecteur sur le réfrigérateur jusqu'à la fin de l'installation.



Instructions d'installation

⚠ AVERTISSEMENT

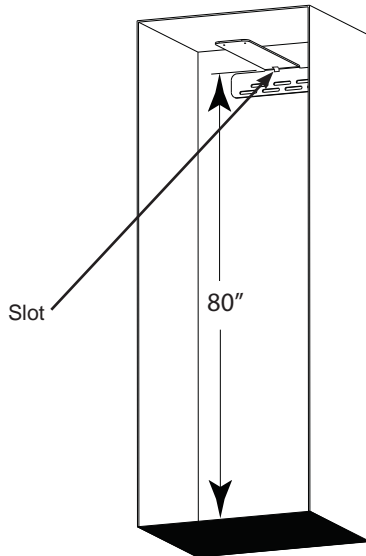


Risque de

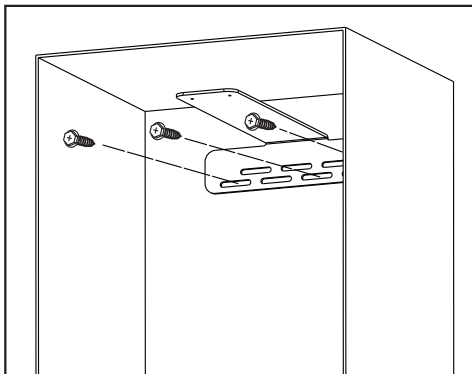
basculement. Ces électroménagers sont lourds du haut, notamment lorsqu'une porte est ouverte, de sorte qu'ils doivent être fixés pour prévenir un basculement vers l'avant susceptible d'occasionner des blessures graves ou la mort. Lisez et observez la totalité des instructions d'installation pour connaître la façon de fixer l'électroménager sur le dispositif antibasculement.

ÉTAPE 2 INSTALLATION DE LA PATTE ANTI-BASCULEMENT

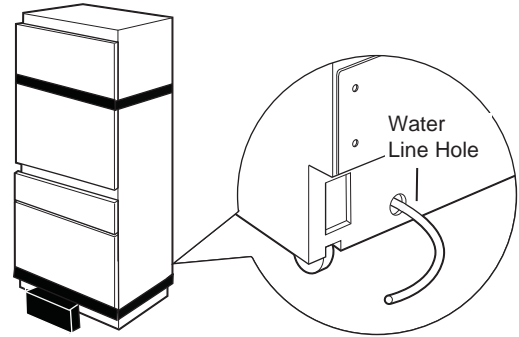
- La partie supérieure interne de la patte anti-basculement doit être installée à une hauteur de 80 po. La « fente » dans la patte doit être placée au centre de l'espace d'installation (typiquement 15 po).
- Marquez (au niveau des fentes) les positions des montants et des ancrages sur les pattes.



- Fixez la patte en utilisant les montants et des ancrages.
- Au moins un des montants doit être utilisé. Toutefois, utilisez autant de montants possibles au sein de l'ouverture. Au moins trois fixations doivent être utilisées pour une installation correcte.



ÉTAPE 3 CONNECT CONDUITE D'EAU



⚠ AVERTISSEMENT

Raccordez l'appareil à une alimentation d'eau potable seulement.

- Placez l'appareil devant l'enceinte.
- Localisez et amenez le tuyau vers l'avant du meuble de cuisine.
- Ouvrez le robinet d'eau pour éliminer les débris dans le tuyau. Faites couler environ 1 litre d'eau dans le tuyau, recueillez l'eau dans un seau puis fermez le robinet.

Si besoin est, coupez le tuyau à la longueur requise pour qu'il puisse être connecté au robinet d'eau.

Tuyau en cuivre:

- Faites passer un écrou et un embout d'1/4 po par-dessus les deux extrémités du tuyau en cuivre. Insérez le tuyau dans le raccord union sur l'appareil et serrez l'écrou.
- Ouvrez le robinet d'eau pour vérifier l'absence de fuites.

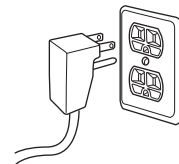
Tuyau SmartConnect™:

- Suivez les instructions fournies avec la tuyauterie. Un serrage excessif peut causer des fuites. Ouvrez l'eau pour vérifier l'absence de fuites.

Remarque : Enroulez la longueur de tuyau excédentaire derrière l'appareil.

ÉTAPE 4 BRANCHEMENT DE L'ALIMENTATION ÉLECTRIQUE

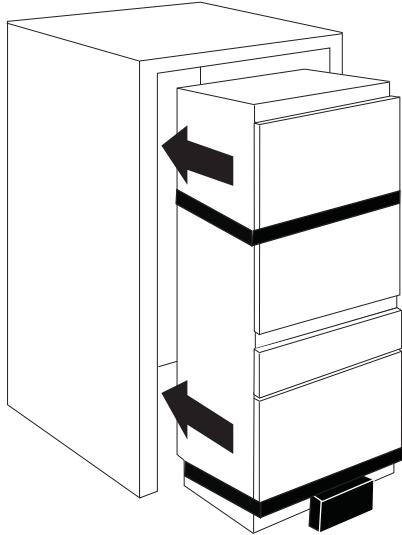
- Branchez le cordon d'alimentation dans la prise.
- Vérifiez que le réfrigérateur soit bien branché en ouvrant le bac à glaçons (la porte FF sera fermée par une courroie) pour vérifier que les lumières intérieures sont allumées.
- Les commandes de température sont pré-réglées sur 37°F (3°C) pour le réfrigérateur et sur 0°F (-18°C) pour le tiroir du compartiment de congélation et du tiroir convertible.
- Attendez 24 heures que la température se stabilise avant de faire les réglages.



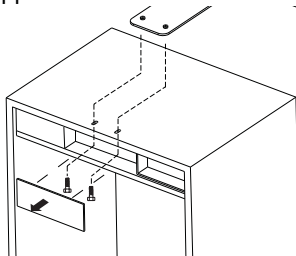
Instructions d'installation

ÉTAPE 5 POSITIONNEMENT DE L'APPAREIL DANS SON ENCEINTE

Faites rouler l'appareil dans son enceinte, en s'assurant de ne pas accrocher le tuyau d'eau ou le câble d'alimentation.



- Une longue barre plate ou une règle de trente-six pouces sera peut-être nécessaire pour guider le bord avant de la patte anti-basculement par-dessus l'appareil.
- S'il y a assez de place, vous pouvez légèrement courber le bord avant de la patte vers le haut, permettant ainsi le passage de l'appareil.

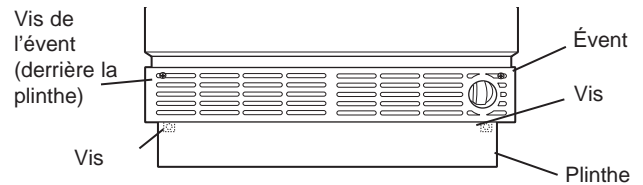


- Retirez la protection de la garniture de l'appareil.
- Fixez l'appareil à la patte anti-basculement à l'aide des vis de mécanique et des rondelles pour enfiler les douilles filetées dans la patte anti-basculement.
- Commencez à visser les vis à la main jusqu'à ce que l'appareil soit dans la position désirée dans l'enceinte.
- Finalisez l'installation en serrant les vis complètement.
- Réinstallez la protection de la garniture.

ÉTAPE 6 INSTALLATION DE LA PLINTHE ET DE L'ÉVENT

La plinthe doit être enlevée pour accéder à la legstyle nivellement

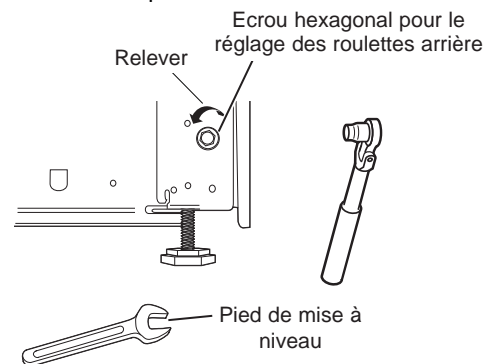
- Retirez la partie pleine de la plinthe en la tirant vers l'avant.
- Placez la plinthe, l'évent et les vis à l'écart pour une réinstallation future.
- Faites passer le tuyau d'eau par l'appareil jusqu'à ce qu'il sorte par l'avant.
- Fixez le tuyau au sol à l'aide de ruban adhésif en attendant que l'appareil soit placé dans l'enceinte.



ÉTAPE 7 MISE À NIVEAU DU RÉFRIGÉRATEUR

Tous les modèles possèdent quatre points de mise à niveau. L'avant est soutenu par des pieds de mise à niveau, l'arrière par des roulettes réglables. Les deux sont accessibles par l'avant du réfrigérateur

- Pour mettre à niveau l'arrière du réfrigérateur, tournez l'écrou hexagonal de 5/16 po situé au-dessus des roulettes avant. Tournez dans le sens des aiguilles d'une montre pour rehausser le réfrigérateur et dans le sens inverse des aiguilles d'une montre pour l'abaisser.
- Pour mettre l'avant de niveau, utilisez une clé plate de 1 1/4 po.
- Réglez la hauteur du réfrigérateur pour correspondre à l'ouverture découpée pour l'installation. Le réfrigérateur doit être de niveau et d'aplomb avec les meubles alentours.



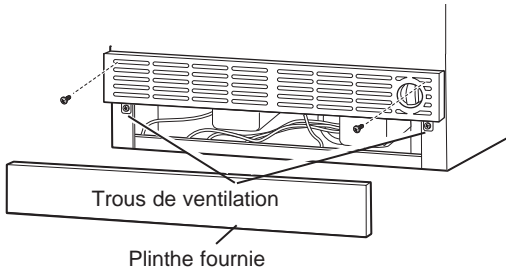
NOTIFICATION: Les roulettes arrière et les pieds avant de mise à niveau sont limités à un réglage d'une hauteur maximale de 1 po. Si l'installation demande une hauteur supérieure à 84 1/2 po, l'installateur doit surélever le réfrigérateur à l'aide d'une plaque de contreplaqué ou des patins. Il est également possible d'ajouter une moulure de meuble sur le haut de l'ouverture pour réduire cette dernière.

Toute tentative de surélévation du réfrigérateur de plus d'1 po va endommager les pieds avant et les roulettes arrière de mise à niveau.

Instructions d'installation

ÉTAPE 8 INVERSION DE L'OUVERTURE DE PORTE

- Localisez la plinthe, l'évent et les vis (retirés précédemment).
- Une plinthe sur mesure peut être installée pour être assortie ou pour compléter les meubles alentours. Utilisez la plinthe fournie comme modèle pour découper la forme.
- Réinstallez l'évent à l'aide des vis retirées précédemment.
- Réinstallez la plinthe.



ÉTAPE 9 INVERSION DE L'OUVERTURE DE PORTE (si nécessaire)

Sautez cette étape si l'ouverture de la porte est satisfaisante.

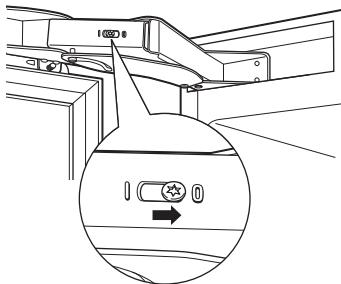
⚠ AVERTISSEMENT Suivez toutes les étapes pour inverser le sens d'ouverture de porte. L'omission de suivre ces instructions, de ne pas utiliser toutes les pièces, ou le serrage excessif des vis, peuvent causer la chute de la porte et occasionner des blessures ou des dommages à la propriété.

1. Ouvrez la porte du réfrigérateur.

⚠ AVERTISSEMENT  **Risque de pincement de doigts**

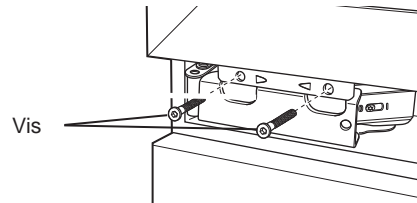
L'étape suivante est importante pour la manipulation en toute sécurité d'une charnière non chargée ne sautez pas l'étape 2.

2. Libérez les ressorts de la charnière en utilisant une clé Torx T-20 pour desserrer la vis Torx de la position 1 à la position 0 sur les deux charnières.

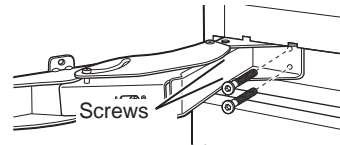


ÉTAPE 9 INVERSION DE L'OUVERTURE DE PORTE (si nécessaire) (suite)

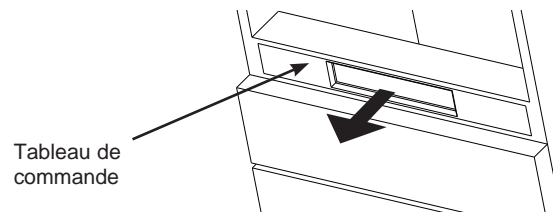
3. A l'aide d'une clé hexagonale de type Allen de 5/32 po, retirez les deux vis de chaque charnière qui maintiennent la porte sur le réfrigérateur. Demandez à quelqu'un de tenir la porte pendant que vous retirez ces vis pour éviter que la porte ne tombe.



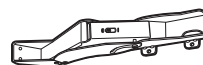
4. Ouvrez les charnières. A l'aide d'une clé hexagonale de type Allen de 5/32 po, retirez les deux vis de chaque charnière qui maintiennent la charnière sur la cuve du réfrigérateur.



5. Retirez la garniture et le compartiment de charnière du haut du réfrigérateur et installez-les sur le côté opposé.
6. Retirez la garniture et le compartiment de charnière du bas du compartiment réfrigérateur. Retirez le tableau de commande et placez-le délicatement dans le tiroir FZ.



7. Réinstallez le tableau de commande.
8. Les charnières seront installées dans les coins opposés. La charnière supérieure sera retournée et installée sur le bas du compartiment réfrigérateur. La charnière inférieure sera retournée et installée sur le haut du compartiment réfrigérateur.

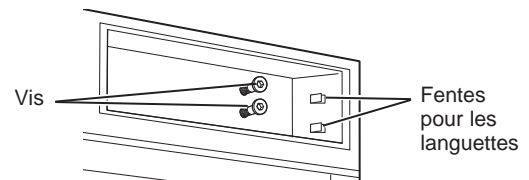


Charnière supérieure



Charnière inférieure

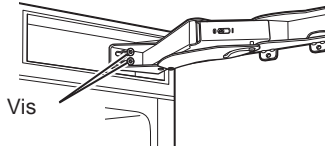
9. Installez les vis sur la cuve du compartiment réfrigérateur aux 4 endroits. Vissez-les jusqu'à mi-course.



Instructions d'installation

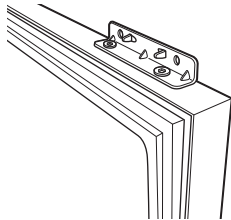
ÉTAPE 9 INVERSION DE L'OUVERTURE DE PORTE (si nécessaire) (suite)

10. Pour installer la charnière supérieure, placez la charnière dans le bon sens - la partie du support qui sera fixée à la porte doit être sur le bas de la charnière. Faites glisser la charnière sur les vis et placez les languettes dans le compartiment de la charnière. Serrez les vis.

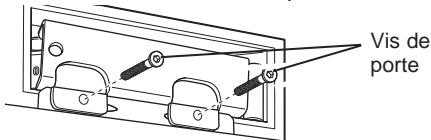


11. Pour installer la charnière inférieure, placez la charnière dans le bon sens — la partie du support qui sera fixé à la porte doit être sur le haut de la charnière. Faites glisser la charnière sur les vis et placez les languettes dans le compartiment de la charnière. Serrez les vis. Fermez la charnière.

12. Retirez les supports de la charnière de la porte et réinstallez-les sur le côté opposé, en haut et en bas.

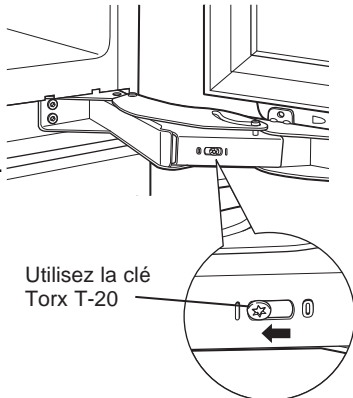


13. Avec l'aide d'une deuxième personne pour maintenir la porte en place, alignez les trous dans le support de la charnière de porte avec ceux dans la charnière. Placez d'abord les vis dans la charnière supérieure.



14. Installez ensuite les vis sur la charnière inférieure.

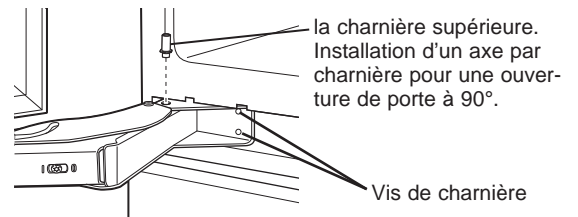
15. A l'aide d'une clé Torx T-20, resserrez la tension sur les ressorts de la charnière en tournant les vis de la position 0 à la position 1.



ÉTAPE 10 RÉGLAGE DE L'OUVERTURE DE PORTE (si nécessaire)

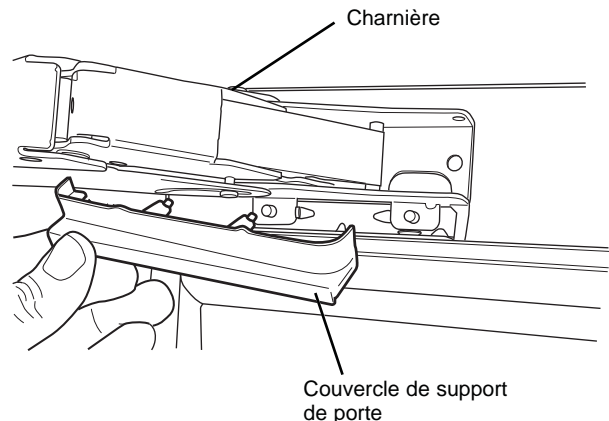
REMARQUE: Ce réfrigérateur possède 2 butées de position d'ouverture. Quand l'espace ne permet pas l'ouverture de la porte à 115°, vous pouvez limiter l'ouverture de porte à 90°. Ignorez cette étape si l'ouverture de la porte est satisfaisante pour l'installation.

- Ouvrez la porte du compartiment réfrigérateur pour exposer les charnières supérieure et inférieure.
- Desserrez les vis de la charnière inférieure fixées à la cuve
- Tirez la charnière légèrement vers vous et insérez l'axe de la charnière dans le trou le plus proche de l'appareil.
- Vous pouvez utiliser un petit marteau pour les mettre en place correctement.
- Resserrez les vis de la charnière.
- Répétez cette procédure pour
- Répéter pour la charnière supérieure.



ÉTAPE 11 INSTALLATION DES COUVERCLES DE SUPPORT DE PORTE (certains modèles)

Installez les couvercles pour dissimuler les supports près des charnières dans le haut et le bas de la porte. Les couvercles s'encliquètent en place.

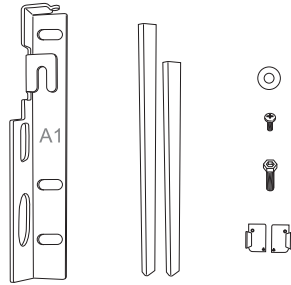


Instructions d'installation

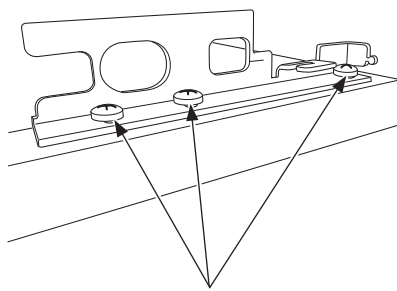
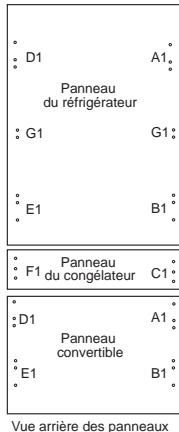
ÉTAPE 12 INSTALLATION DES PANNEAUX DE PORTE ET TIROIR

1. Retirez toute la quincaillerie de porte et de tiroir et la garniture du réfrigérateur.

Article	Quantité
Supports du panneau	12
Vis de mécanique à tête cruciforme (pour panneau en acier inoxydable)	34
Vis à tête six-pans	12
Rondelles	12
Garniture de porte	6
Capuchons pour garniture	12
Clé hexagonale	2

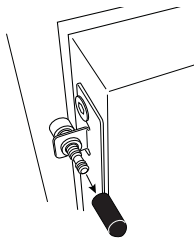


2. Fixez les supports A1 – F1 aux panneaux de porte aux endroits indiqués ci-dessous. Les panneaux sur mesure comportent des trous déjà percés comme montré aux gabarits de panneau de porte : 31-1000149, 31-1000150, 31-1000151, 31-1000152. Si vous avez acheté un panneau en acier inoxydable, utilisez les vis mécaniques à tête cruciforme pour fixer les supports aux panneaux de porte en acier inoxydable. Utilisez des vis à bois appropriées pour les panneaux sur mesure.



Ne serrez pas complètement les vis, car elles seront serrées après la procédure d'assemblage et le réglage de gauche à droite.

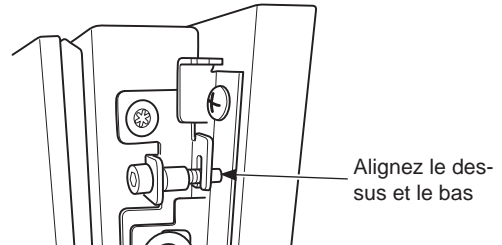
3. Si vous avez des poignées sur mesure et qu'elles ne sont pas déjà installées sur les panneaux, procédez à leur installation.



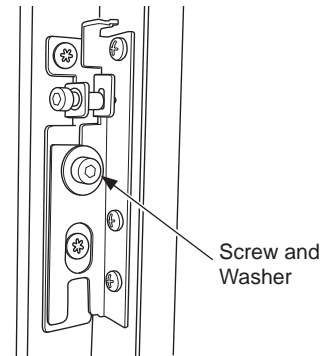
4. Retirez les capuchons de tiges de réglage installés sur les portes.

5. Ouvrez la porte du compartiment réfrigérateur pour fixer le panneau du compartiment réfrigérateur.

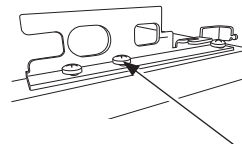
6. Apposez le panneau du compartiment réfrigérateur sur la porte du compartiment réfrigérateur en alignant les crochets des supports de panneau avec les tiges de réglage de la porte.



7. Apposez le panneau du compartiment réfrigérateur sur la porte du compartiment réfrigérateur en alignant les crochets des supports de panneau avec les tiges de réglage de la porte.

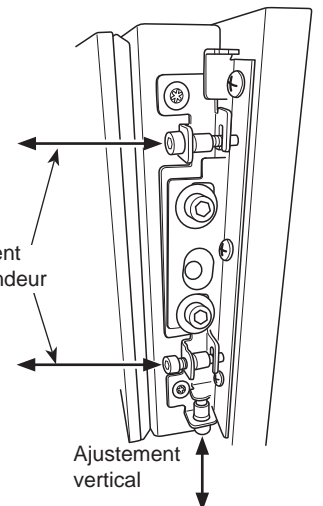


8. Déplacez le panneau d'un côté à l'autre pour vous assurer que les espaces de chaque côté du meuble adjacent sont égaux.



Serrez une vis par support. Les autres vis seront serrées après avoir effectué la procédure d'alignement.

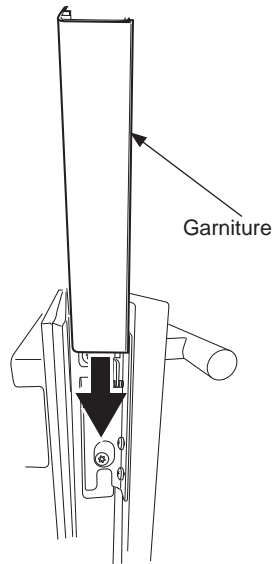
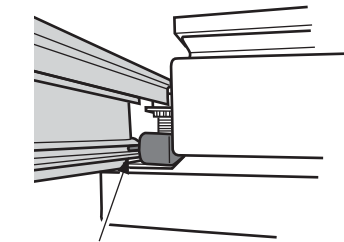
9. Utilisez une clé hexagonale pour ajuster la profondeur et la hauteur du panneau de la porte du compartiment réfrigérateur avec le meuble adjacent. Vous devez laisser un espace Ajustement minimum de 3 mm (1/8 de profondeur po) entre le panneau et le meuble adjacent.



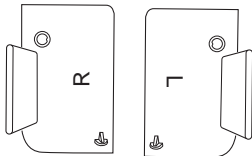
Instructions d'installation

ÉTAPE 12 INSTALLATION DES PANNEAUX DE PROTE ET DE TIROIR (suite)

10. Répétez les étapes 5 à 9 pour le tiroir du congélateur.
11. Répétez les étapes 5 à 9 pour le tiroir convertible.
12. Serrez toutes les vis une fois que vous êtes satisfait de l'alignement du panneau.
13. Glissez la garniture pour camoufler la quincaillerie d'ajustement du panneau.

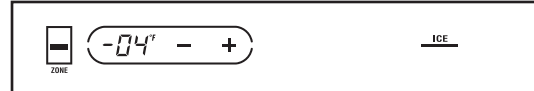


14. Installez les capuchons de la garniture à chaque extrémité de la garniture.

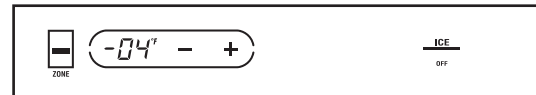


ÉTAPE 13 MISE EN MARCHÉ DE LA MACHINE À GLAÇONS

- Appuyez deux fois sur le voyant ZONE sur le panneau de commande pour sélectionner le tiroir congélateur. Appuyez sur l'icône ICE (glaçon) sur le côté droit des commandes. Une ligne apparaitra sous ICE (Glaçon) pour indiquer que la machine à glaçons est activée.
- Vérifiez que rien n'interfère avec le déplacement du bras de détection.



- Jetez le premier bac de glaçons.
- Pour arrêter la machine à glaçons, appuyez sur l'icône ICE (glaçon). Le mot OFF (arrêt) apparaitra sous ICE (Glaçon) pour indiquer que la machine à glaçons est désactivée.



Notes

Page verso des instructions d'installation

NOTE: While performing installations described in this book, safety glasses or goggles should be worn.

NOTE: Product improvement is a continuing endeavor at Monogram. Therefore, materials, appearance and specifications are subject to change without notice.



MONOGRAM



INSTRUCCIONES DE INSTALACIÓN

**Refrigerador de 2 Cajones y
Freezer Incorporado en Espacio Inferior de 30"**

ESPAÑOL.

Información sobre Seguridad

ANTES DE COMENZAR

Lea estas instrucciones en su totalidad y atentamente.

- **IMPORTANTE** – Conserve estas instrucciones para uso del inspector local. Cumpla con todos los códigos y ordenanzas gubernamentales.
- **Nota para el Instalador** – Asegúrese de que el Comprador conserve estas instrucciones.
- **Nota para el Consumidor** – Guarde estas instrucciones con su Manual del Propietario para referencia futura.

Si la unidad que recibió está dañada, se deberá comunicar de inmediato con su vendedor o fabricante.

Nivel de habilidad – La instalación de esta unidad requiere un nivel básico de habilidades mecánicas, de carpintería y plomería. La correcta instalación del producto es responsabilidad del instalador. Si se producen fallas en el producto debido a una instalación inadecuada, la Garantía de Monogram no cubrirá las mismas. Para obtener información sobre la garantía, consulte el Manual del Propietario.

⚠ ADVERTENCIA **Riesgo de Descarga Eléctrica**

Enchufe en un tomacorriente con conexión a tierra de 3 cables.

No elimine el cable de conexión a tierra.

No use un adaptador.

Inmediatamente interrumpa el uso de un cable de suministro de corriente dañado. Si el cable de corriente se encuentra dañado, su reemplazo deberá ser realizado por un profesional calificado del servicio técnico, utilizando una pieza del servicio técnico autorizada por el fabricante.

No use un prolongador con este electrodoméstico. Si no se siguen estas instrucciones, se podrá producir la muerte, incendios o descargas eléctricas.

Siga las instrucciones que figuran en la sección de Conexión de tierra de la unidad.

Este electrodoméstico deberá ser instalado por algún medio en el cableado fijo del hogar o en un disyuntor para desconectar el electrodoméstico del suministro eléctrico luego de la instalación.

⚠ ADVERTENCIA **Riesgo de Caídas**

Estos electrodomésticos son inestables, especialmente cuando una puerta se encuentre abierta, y deben estar asegurados a fin de evitar caídas hacia adelante que podrían resultar en la muerte o en lesiones graves. Lea y siga las instrucciones de instalación en su totalidad para asegurar el electrodoméstico con el sistema anti volcaduras.

⚠ ADVERTENCIA **Riesgo de Explosión**

Mantenga cualquier material y vapores inflamables, tales como gasolina, alejados del electrodoméstico. Si no se cumple con esto, se podrá producir una explosión, incendio o la muerte.

⚠ ADVERTENCIA A fin de reducir el riesgo asociado con descargas, no permita que los niños menores de 3 años de edad tengan acceso a las partes pequeñas durante la instalación de este producto.

⚠ PRECAUCIÓN **Riesgo al levantar la puerta**

Esta unidad es muy pesada. A fin de reducir el riesgo de lesión de una persona al maniobrar e instalar este electrodoméstico, se requiere contar con 3 personas para una correcta instalación.

⚠ PRECAUCIÓN Mantenga los dedos fuera de los espacios de “riesgo de lastimaduras”; los espacios entre las puertas y entre las puertas y el gabinete son necesariamente pequeños. Tenga la precaución de cerrar las puertas cuando los niños se encuentren en el área.

Para acceder al servicio local de Monogram en su área, visite monogram.com

Para acceder al servicio de Monogram en Canadá, visite monogram.ca

Para acceder a Piezas y Accesorios de Monogram, visite monogram.com/use-and-care/parts

Para Piezas y Accesorios de Monogram en Canadá, visite monogram.ca

Información sobre seguridad

⚠ ADVERTENCIA



PELIGRO DE EXPLOSIÓN Refrigerantes Inflamables

Este electrodoméstico cuenta con refrigerante isobutano, R600a, un gas natural con alto nivel de compatibilidad medioambiental. Sin embargo, también es combustible. Siga las advertencias que figuran a continuación, a fin de reducir el riesgo de lesiones o daños sobre la propiedad.

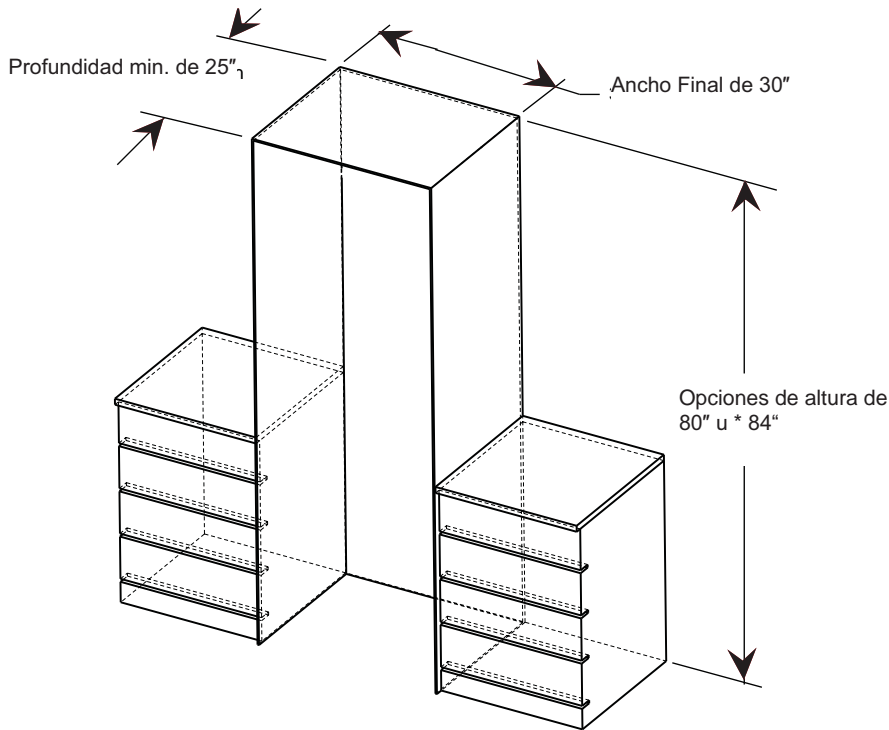
- 1) Al mover, instalar y operar el electrodoméstico, se deberá tener cuidado de no dañar la tubería del refrigerante.
- 2) El servicio técnico sólo debe ser realizado por personal autorizado del servicio. Use sólo piezas del servicio autorizadas por el fabricante
- 3) Descarte el electrodoméstico de acuerdo con las Regulaciones Federales y Locales. El refrigerante inflamable y el material aislante inflamable usados requieren procedimientos de descarte especiales. Comuníquese con las autoridades locales para descartar su refrigerador de forma ambientalmente segura.
- 4) Mantenga las aberturas de ventilación en el espacio de protección del electrodoméstico o en la estructura incorporada libres de obstrucción.
- 5) No use dispositivos mecánicos u otros medios para acelerar el proceso de descongelamiento.
- 6) No dañe el circuito del refrigerante.
- 7) No use dispositivos eléctricos dentro del compartimiento de almacenamiento de comida del electrodoméstico.

Contenidos

Design Guide		Paso 3, Inserte el Suministro de Agua	13
Guía de Diseño		Paso 4, Conecte la Corriente	13
Dimensiones del Gabinete de Protección	4	Paso 5, Deslice la Unidad en el Espacio de Protección	14
Dimensiones del Refrigerador	5	Paso 6, Retire el Tope de Pie y la Ventilación	14
El Espacio de Instalación	6	Paso 7, Nivele el Refrigerador	14
Conexión a Tierra del Refrigerador	6	Paso 8, Instale el Tope de Pie y la Ventilación	15
Manijas Integradas con Giro de Puerta de 115°	7	Paso 9, Invierta el Giro de la Puerta	15
Manijas Integradas con Giro de Puerta de 90°	8	Paso 10, Ajuste el Giro de la Puerta	16
Accesorio Dimensión del Panel SS.	9	Paso 11, Instale los Paneles de la Puerta y el Cajón	18
Dimensiones del Panel a Medida de 3/4"	10	Paso 12, Encienda la Máquina de Hacer Hielo	18
Instrucciones de Instalación		Colocación de la Placa de Monogram	19
Herramientas, Equipo, Materiales	11		
Paso 1, Retire el Envoltorio	12		
Paso 2, Instale el Soporte Anti-Volcaduras	13		


Guía de Diseño


Dimensiones del Espacio de Protección del Gabinete para Instrucciones Completamente Integradas

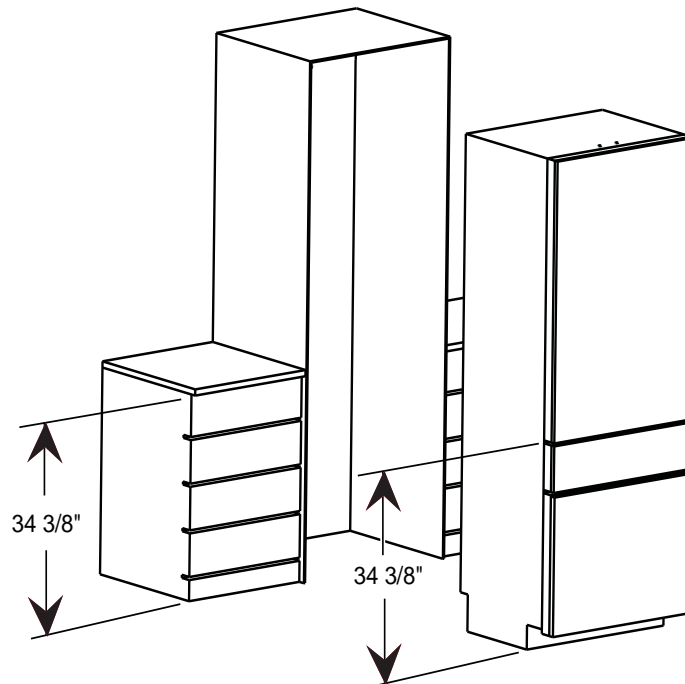



La profundidad del disyuntor deberá ser de 25" para instalaciones al mismo nivel.

- La cara frontal del refrigerador se encuentra al mismo nivel que los gabinetes adyacentes de 25" de profundidad.
- El refrigerador puede calzar bien en un espacio de protección con una altura mínima de 79-1/2" y una altura máxima de 84 1/2". Aunque el refrigerador sólo se pueda levantar a 80 3/8".
- Se puede construir el panel de la puerta para alimentos frescos con la finalidad de completar la altura adicional; consulte la página 11.

 **Consejo de Diseño:** Recomendamos finalizar la superficie interior del espacio de protección a por lo menos 4" de la cara frontal.

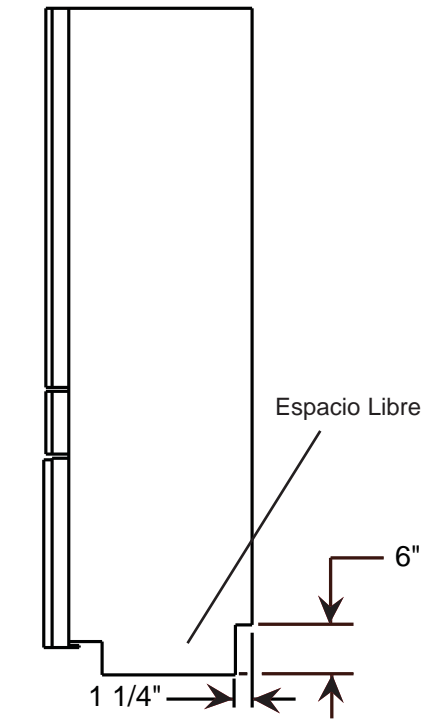
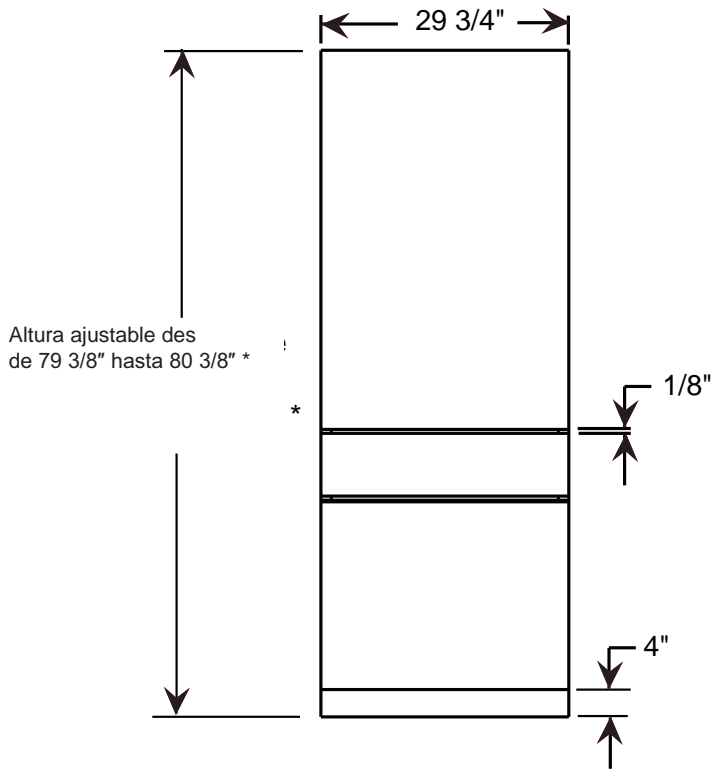
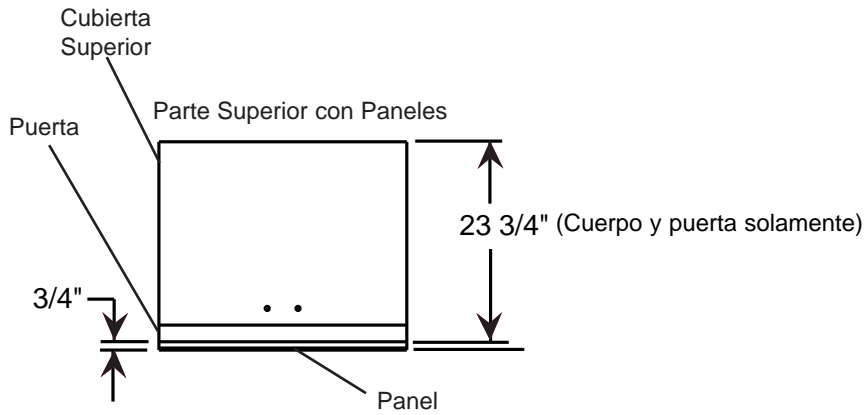
 **Consejo de Diseño:** Si se usará un espacio de protección de 84", se recomienda agregar un panel que cubra el espacio sobre el cuerpo del refrigerador.



 **Consejo de Diseño:** Es posible alinear el cajón de su refrigerador con gabinetes adyacentes para una apariencia completamente integrada.

Guía de Diseño

Dimensiones del Refrigerador con Paneles de 3/4"



Frente con Paneles

Costado con Paneles

* El Refrigerador se podrá ajustar para que calce en un espacio de gabinete de 83-3/8" a 84-3/8" con el kit del panel de la puerta adecuado.

Instalación en Espacio Libre		
Parte Superior 1/8" / 3mm	Cada Lado 1/4" / 6mm	Parte Trasera 1/2" / 12mm

Guía de Diseño

EL ESPACIO DE INSTALACIÓN

Ubicaciones de Agua y Electricidad

El suministro de electricidad y agua deberá estar ubicado en un lugar con sombra como se muestra.

⚠ ADVERTENCIA Realice la conexión a un suministro de agua potable únicamente.

PREPARACIÓN PARA INSTALAR EL SUMINISTRO DE AGUA

- Se requiere un suministro de agua fría para el funcionamiento de la máquina de hielo automática. La presión del agua deberá estar entre 40 y 120 p.s.i. (275-827 kPa).
- Haga circular una tubería de cobre de 1/4" OD o tubería de plástico SmartConnect™ entre el suministro de agua fría de la casa y la ubicación de la conexión de agua.
- La tubería deberá ser de una extensión suficiente como para llegar hasta el frente del refrigerador. Deje una cantidad de tubería suficiente para realizar una inclinación que llegue hasta la conexión del suministro de agua.
- El suministro de agua puede ingresar a una abertura a través del piso o la pared trasera.
- Instale una válvula de cierre entre la válvula de agua de la máquina de hacer hielo y el suministro de agua fría en el hogar.

NOTA:

- Se recomienda que la válvula de cierre de agua se encuentre en una ubicación de fácil acceso. No es aconsejable ubicarla detrás de la unidad debido a dificultades de acceso. Si es necesario instalar la válvula detrás de la unidad, deberá ser ubicada en un área con sombra.
- Muchos kits de suministro de agua incluyen válvulas de cierre tipo montura, pero no se recomiendan para esta aplicación.
- La única tubería aprobada por GEA es suministrada en los Kits de Tuberías para Refrigerador de SmartConnect™. No use ningún otro suministro de agua plástico, ya que el suministro se encuentra bajo presión en todo momento. Otros tipos de plásticos podrán sufrir fisuras o rompeduras con el paso del tiempo y ocasionar problemas con el agua en su hogar. Los Kits de Tuberías para Refrigerador de SmartConnect™ están disponibles en las siguientes longitudes: **6' (1.8 m) WX08X10006, 15' (4.6 m) WX08X10015 & 25' (7.6 m) WX08X10025**
- Se deberá cumplir con los Códigos de Plomería del Commonwealth de Massachusetts 248CMR. Las válvulas tipo montura son ilegales y su uso está prohibido en Massachusetts. Consulte a un plomero matriculado.

Especificaciones Eléctricas

- Se requiere un suministro de corriente de 115 voltios, 60-Hz., 15 o 20 amperes. Se recomienda el uso de un circuito individual derivado o un disyuntor correctamente conectado a tierra.
- Instale un receptáculo eléctrico de 3 patas correctamente conectado a tierra en la pared trasera. El receptáculo eléctrico deberá estar ubicado en la pared trasera como se muestra.

NOTA: No se recomienda el uso de un Interruptor de Falla de Tierra (GFI).

CONEXIÓN A TIERRA DEL REFRIGERADOR

⚠ ADVERTENCIA  **Riesgo de Descarga Si no se siguen estas instrucciones, se podrá producir la muerte, incendios o descargas eléctricas.**

El cable de corriente de este electrodoméstico cuenta con un enchufe de 3 cables (conexión a tierra) que se conecta a un tomacorriente de pared estándar de 3 cables (conexión a tierra) para minimizar el riesgo de posibles descargas eléctricas por parte del mismo.

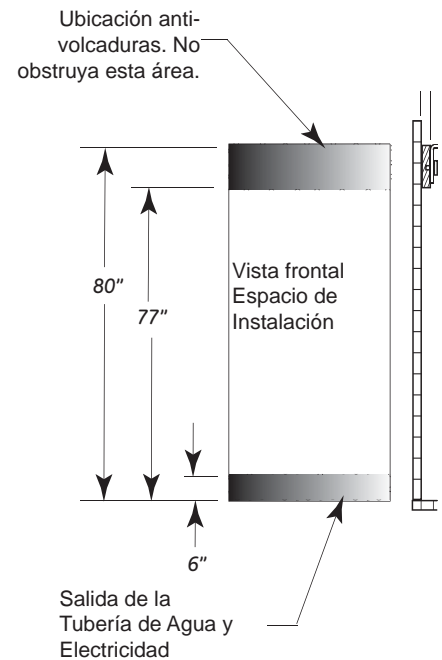
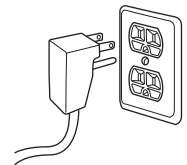
Contrate a un electricista calificado para que controle el tomacorriente y el circuito eléctrico para asegurar que el enchufe esté correctamente conectado a tierra.

En caso de contar con un toma corriente de pared de 2 cables, es su responsabilidad y obligación reemplazarlo por un toma corriente de pared de 3 cables correctamente conectado a tierra.

NUNCA, BAJO NINGUNA CIRCUNSTANCIA, CORTE NI ELIMINE EL TERCER CABLE (TIERRA) DEL CABLE DE CORRIENTE.

NO USE UN ENCHUFE ADAPTADOR PARA CONECTAR EL REFRIGERADOR A UN TOMACORRIENTE DE 2 PATAS.

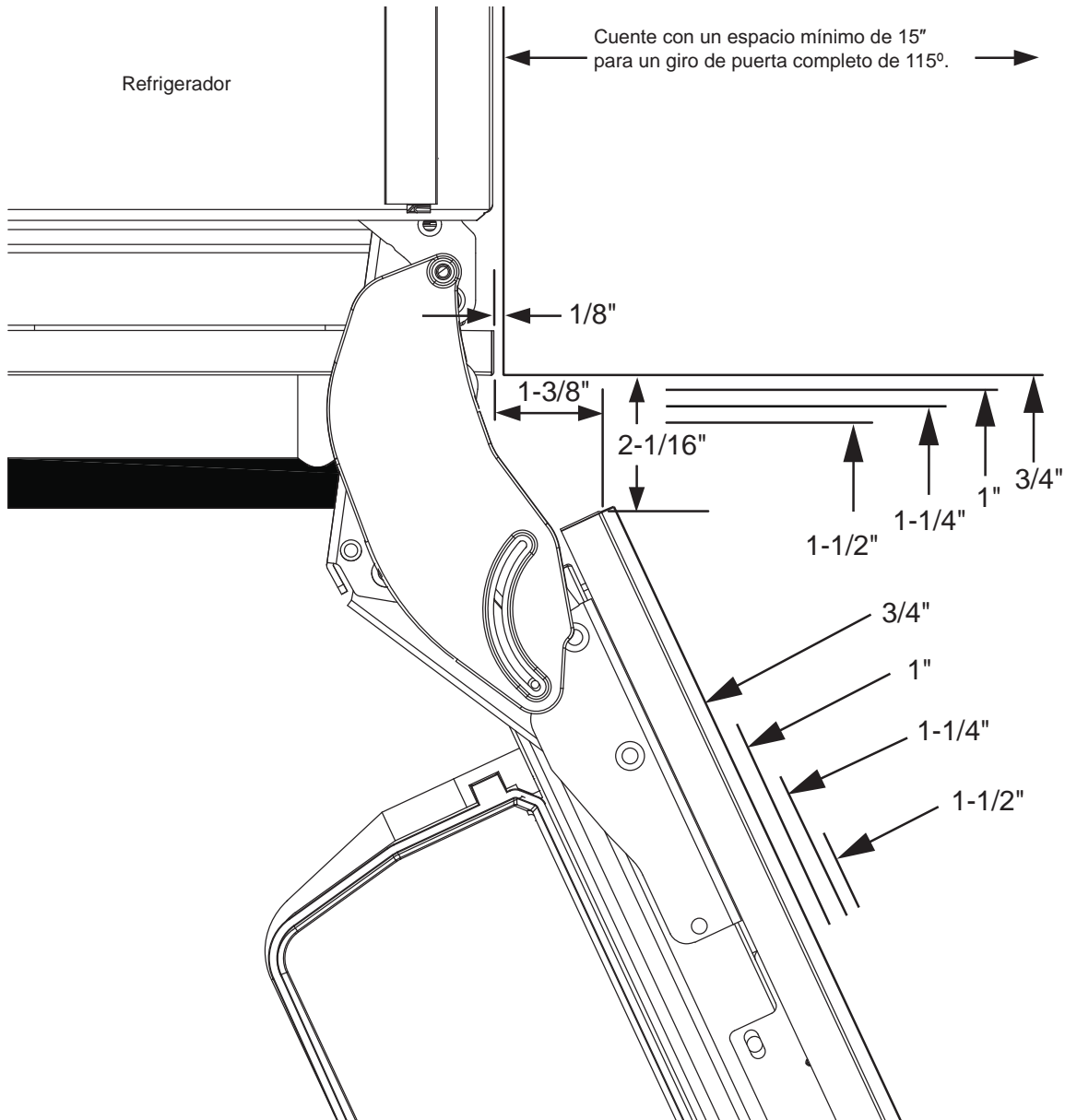
NO USE UN PROLONGADOR CON ESTE ELECTRODOMÉSTICO.



Guía de Diseño

Espacios Libres del Producto

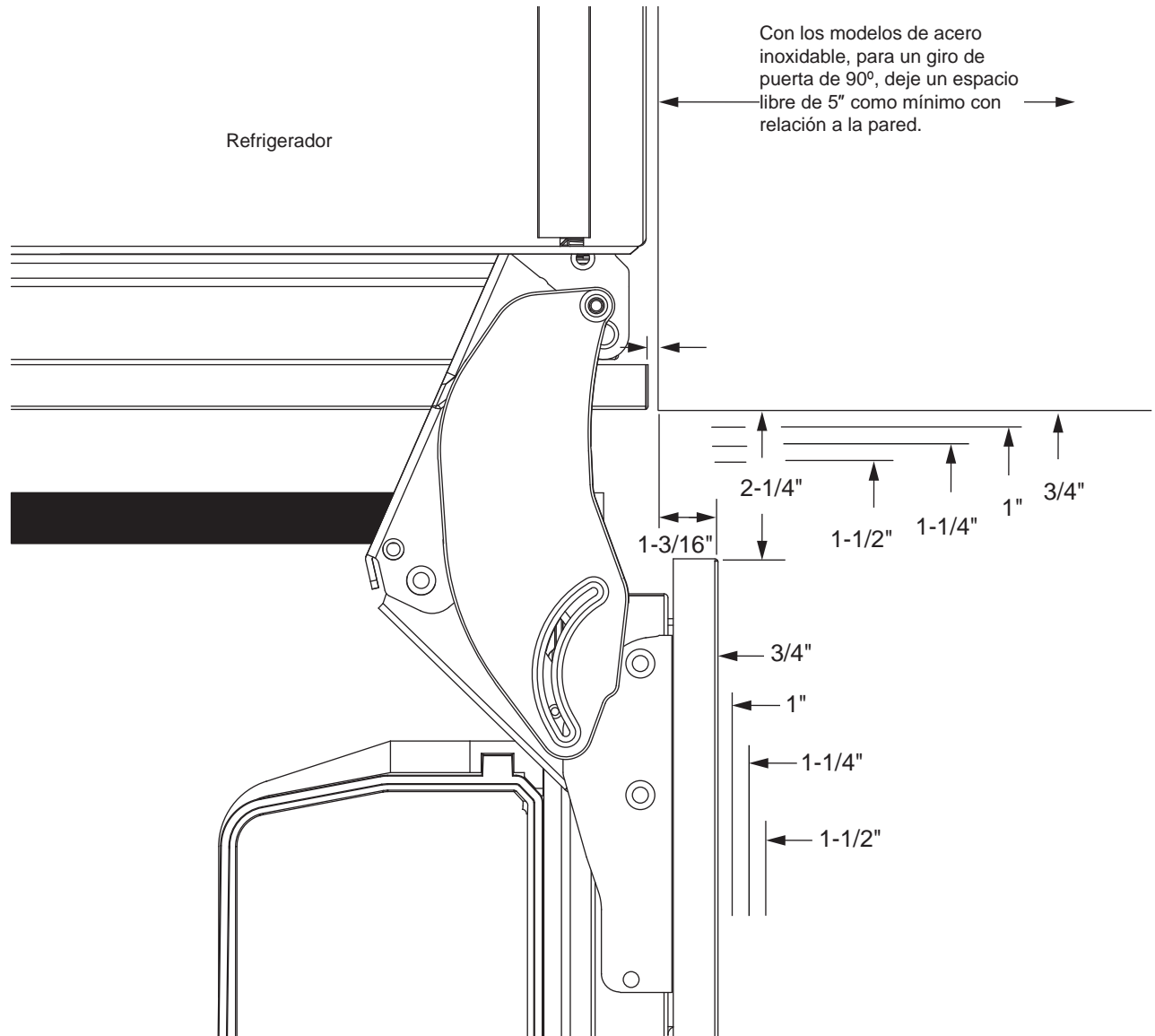
Estos refrigeradores están equipados con un dispositivo de detención de la puerta de 2 posiciones. El giro de la puerta de 115° original de fábrica se podrá ajustar a 90° si el espacio libre hasta los gabinetes adyacentes o paredes es restringido. Para que la puerta gire a 90°, consulte la página 8.



**Vista Superior de los Paneles
Acero Inoxidable o A Medida
GIRO DE PUERTA DE 115°
(original de fábrica)**

No a escala

Guía de Diseño



**Vista Superior de los Paneles
Acero Inoxidable o A Medida
GIRO DE PUERTA DE 90°
(opcional)**

No a escala

Guía de Diseño

ACCESORIO Y DIMENSIONES DEL PANEL SS

3/4"- Opciones de Paneles de Puerta Sólidos y Gruesos

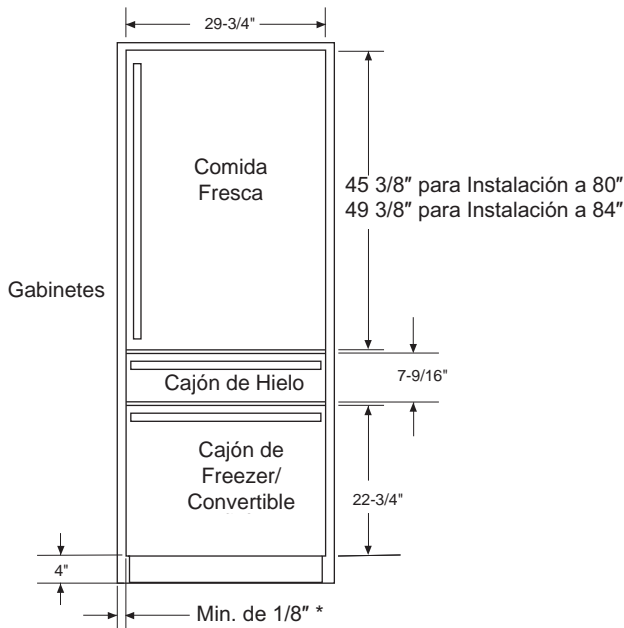
Para Instalación a una Altura de 80"

- LH Integrado – Modelo ZKSSN809NLH
- RH Integrado – Modelo ZKSSN804NRH

Para Instalación a una Altura de 84" (El panel de la puerta no es reversible para Instalaciones a 84". Se deberá adquirir un accesorio para panel de puerta para izquierda o derecha.)

- LH Integrado – Modelo ZKSSN849NLH
- RH Integrado – Modelo ZKSSN844NRH

NOTA: Cada kit también cuenta con paneles para cajones, manijas y topes de pie para el freezer y adaptables.



*Deberá haber un espacio mínimo de 1/8" entre los paneles y los gabinetes circundantes.

Kits de Accesorios Opcionales N°:

- Kit de Instalación de Lado a Lado – ZUG30
- Kit de Manijas de la Colección Minimalist: ZKGC3H3CNSS
- Kit de Manijas de la Colección Statement: ZKGC3H3PNSS

3/4"- Opciones de Estructuras Gruesas para Puertas de Vidrio

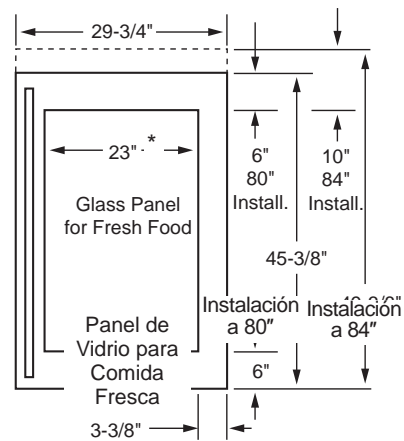
Para Instalación a una Altura de 80"

- LH Integrado – Modelo ZKGSN809NLH
- RH Integrado – Modelo ZKGSN804NRH

Para Instalación a una Altura de 84" (El panel de la puerta no es reversible para Instalaciones a 84". Se deberá adquirir un accesorio para panel de puerta para izquierda o derecha).

- LH Integrado – Modelo ZKGSN849NLH
- RH Integrado – Modelo ZKGSN844NRH

NOTA: Cada opción también cuenta con paneles para cajones, manijas y topes de pie convertibles y para el freezer.



Guía de Diseño

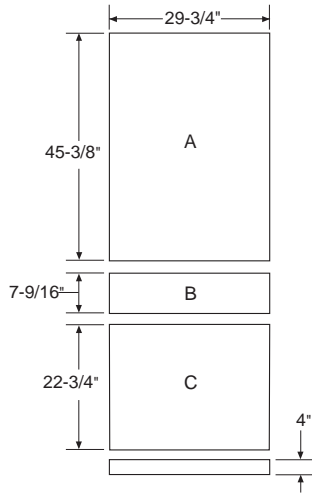
DIMENSIONES DEL PANEL A MEDIDA DE 3/4": Instalación Totalmente Integrada a una Altura de 80"

Si decide instalar paneles a medida, se deberán cortar en las dimensiones que se muestran. Los paneles serán añadidos a la puerta y cajones, usando un sistema de ganchos y soportes.

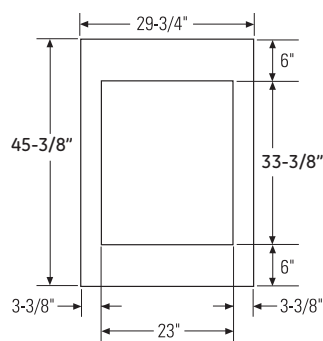
MUY IMPORTANTE: Los paneles de madera debe ser de al menos 3/4 "de espesor en los ganchos y soporte de hardware se adjuntan Consulte a las plantillas de gancho y ubicación de los soportes.

NOTA: Este producto fue diseñado para sostener paneles de 3/4" construidos en madera. 33-3/8" x 23" es la abertura máxima para una ventana de vidrio. La abertura podrá ser más pequeña si así se desea.

PANELES PARA PUERTA Y VENTANAS SÓLIDAS



PANELES PARA PUERTA DE VIDRIO



NOTA IMPORTANTE: Peso máximo del panel:

A Panel de la Puerta para Alimentos

Frescos: 33 libras.

B Panel para Cajón del Freezer: 9 libras

C Panel del Cajón Convertible: 19 libras

*Los estilos deberán ser como mínimo de 3-3/8" para cubrir la estructura de la puerta de aluminio



Consejo de Diseño: Cierta cantidad de cada panel será visible en el lado interior de la unidad. Se recomienda que ambos lados de cada panel sean finalizados.



Consejo de Diseño: Si usará paneles a medida, se recomienda usar un tope de pie a medida. La parte inferior del cuerpo es blanca.

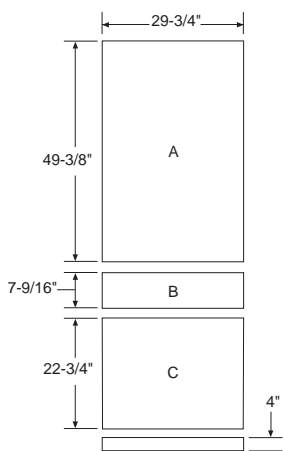
DIMENSIONES DEL PANEL A MEDIDA DE 3/4": Instalación Totalmente Integrada a una Altura de 84"

Si decide instalar paneles a medida, se deberán cortar en las dimensiones que se muestran. Los paneles serán añadidos a la puerta y cajones, usando un sistema de ganchos y soportes.

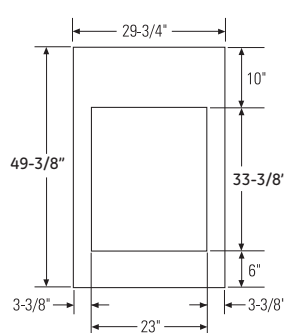
MUY IMPORTANTE: Los paneles de madera debe ser de al menos 3/4 "de espesor en los ganchos y soporte de hardware se adjuntan Consulte a las plantillas de gancho y ubicación de los soportes.

NOTA: Este producto fue diseñado para sostener paneles de 3/4" construidos en madera. 3-3/8" x 23" es la abertura máxima para una ventana de vidrio. La abertura podrá ser más pequeña si así se desea.

PANELES PARA PUERTA Y VENTANAS SÓLIDAS



PANELES PARA PUERTA DE VIDRIO



NOTA IMPORTANTE: Peso máximo del panel:

A Panel de la Puerta para Alimentos Frescos: 33 libras.

B Panel del Cajón del Freezer: 9 libras.

C Panel del Cajón Convertible: 19 libras.

*Styles must be a min 3-3/8" to cover aluminum door frame.



Consejo de Diseño: Cierta cantidad de cada panel será visible en el lado interior de la unidad. Se recomienda que ambos lados de cada panel sean finalizados.



Consejo de Diseño: Si usará paneles a medida, se recomienda usar un tope de pie a medida. La parte inferior del cuerpo es blanca.

Instrucciones de Instalación

HERRAMIENTAS REQUERIDAS

- Llave Allen de 5/32"
- Cuchillo multiuso
- Escalera de dos hojas
- Balde
- Nivel
- Carro manual para electrodomésticos
- Cortador de tubos
- Llave de tuercas de 7/16"
- Llave de tuercas de 1-14"
- Destornillador Phillips nº2
- Kit de taladro y broca
- Enchufe de 5/16"
- Gafas de seguridad
- Pinzas
- Trinquete de 3/8"
- Torx T-20, T-30 Llave

MATERIALES SUMINISTRADOS

- Soporte anti-volcaduras y tornillos
- Kit de instalación de panel
- Plantillas para el panel de la puerta- Pub nº 31-1000149, 31-1000150, 31-1000151, 31-1000152
- Filtro de agua – Parte nº GSWF
- Anclajes para Paredes de Yeso y tornillos

MATERIALES REQUERIDOS

- Tubería de suministro de agua de cobre o de GE SmartConnect™ de 1/4". Kits de tubería del refrigerador
- Válvula de cierre de agua
 - Paneles a medida de la puerta para alimentos frescos, cajón del freezer y cajón Convertible
 - Velcro con adhesivo si se usa un tope de pie a medida.

PISO

Para una instalación correcta, el refrigerador se deberá ubicar en una superficie nivelada de material duro que posea la misma altura en el resto del piso. Esta superficie deberá ser lo suficientemente fuerte como para resistir el peso de un refrigerador totalmente cargado o aproximadamente 1.200 libras (140 kg.).

NOTA: Proteja el acabado del piso. Corte una sección amplia de cartón y coloque la misma debajo del refrigerador donde se encuentra trabajando.

UBICACIÓN DEL REFRIGERADOR/ FREEZER

- No instale el refrigerador/ freezer en lugares donde la temperatura sea inferior a los 55°F (13°C). Éste no funcionará con la frecuencia suficiente como para mantener las temperaturas apropiadas.
- No instale el refrigerador/ freezer en lugares donde la temperatura sea superior a los 100°F (37°C). Éste no funcionará correctamente.
- No instale el refrigerador/ freezer en una ubicación expuesta al agua (lluvia, etc.) o en contacto directo con la luz solar.
- Instale el mismo en un piso lo suficientemente fuerte como para soportarlo completamente cargado.

Instrucciones de Instalación

PASO 1 RETIRE EL EMBALAJE

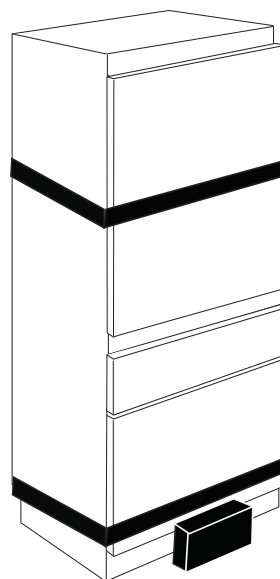
⚠ ADVERTENCIA



Riesgo de Caída.

Este electrodoméstico es inestable. Tenga extremo cuidado al moverlo, a fin de evitar caídas hacia adelante que podrían resultar en la muerte o lesiones graves.

- Recorte las bandas y cintas de la parte superior e inferior del embalaje con un cuchillo multiuso.
- Despliegue las juntas del cartón y retire la parte superior del embalaje.
- Deslice el resto de la caja fuera del electrodoméstico. Puede usar una cuchilla para cortar el resto del cartón con MUCHO CUIDADO de no rayar el electrodoméstico.
- Retire los soportes de gomaespuma que se encuentran alrededor de la unidad.
- NO retire la banda de la puerta ni la parte con bandas del EPS inferior, hasta que la unidad esté preparada para ser trasladada al espacio de protección.
- Recorte los deslizantes de EPS a los costados cerca del frente desde la parte trasera de la unidad.
- Empuje la unidad hacia adelante y retire la parte trasera del deslizante de EPS.
- De forma cuidadosa apoye la parte trasera en el piso.
- Incline la unidad hacia atrás de forma suave y retire la parte frontal del deslizante de EPS.
- Descarte todos los materiales de embalaje sin uso de forma adecuada.
- La unidad ya puede ser trasladada usando un carro manual para electrodomésticos o girada sobre un piso adecuadamente protegido por 2 personas.
- Deje cualquier película protectora sobre el refrigerador hasta que la instalación sea completada.



Instrucciones de Instalación

⚠️ **WARNING**

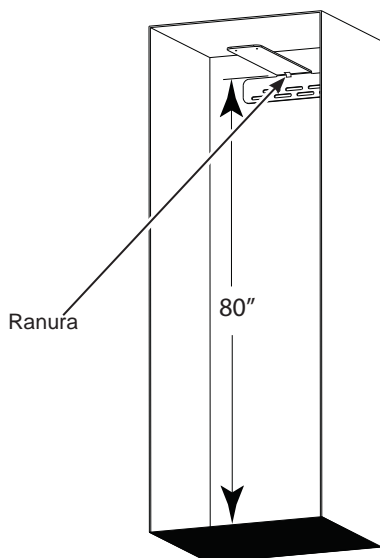


Tip Over Hazard.

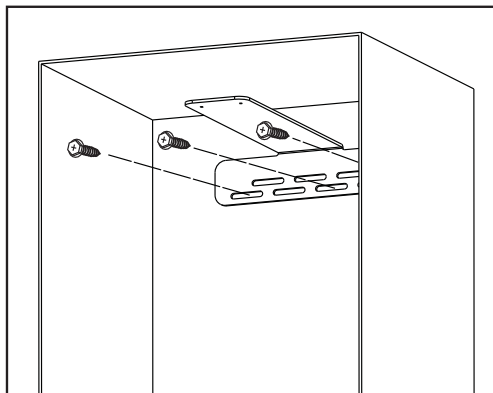
These appliances are top heavy, especially with any doors open, and must be secured to prevent tipping forward which could result in death or serious injury. Read and follow the entire installation instructions for securing the appliance with the anti-tip system.

PASO 2 INSTALE EL SOPORTE ANTI-VOLCADURAS

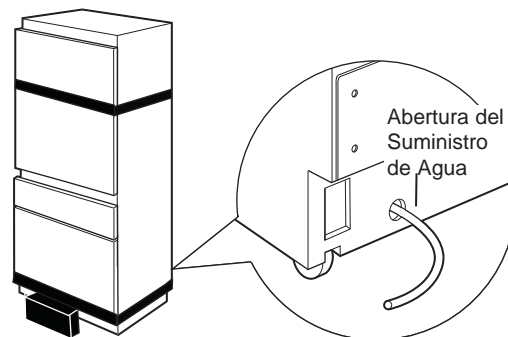
- La Cara Superior Interna del soporte se debería instalar a 80". La "Ranura" del soporte se deberá colocar en el centro del espacio de instalación (Típicamente a 15").
- Marque (dentro de las ranuras, ubicación) las posiciones del montaje y el anclaje en los soportes.



- Asegure el soporte usando una combinación de montajes y anclajes.
- Se deberá colocar por lo menos 1 montaje. Sin embargo, se requiere colocar tantos montajes como sea posible dentro del espacio de protección. Para una instalación adecuada, se deberán usar por lo menos tres sujetadores.



PASO 3 CONECTAR LA LÍNEA DE AGUA



⚠️ **ADVERTENCIA** Realice la conexión a un suministro de agua potable únicamente.

- Posicione el electrodoméstico frente al espacio de protección.
- Encuentre y traiga la tubería al frente del gabinete.
- Abra y deje correr el agua a fin de eliminar desechos del suministro. Deje correr alrededor de un cuarto de galón de agua por la tubería a un balde; luego cierre el suministro de agua.

De ser necesario, corte la tubería a fin de darle la longitud necesaria de modo que se pueda añadir a la válvula de agua.

Tubería de Cobre:

- Coloque una tuerca de 1/4" y una abrazadera de refuerzo sobre ambos extremos de la tubería de cobre. Inserte la tubería en la unión con la unidad y ajuste la tuerca a la unión.
- Abra el suministro de agua para controlar que no haya pérdidas.

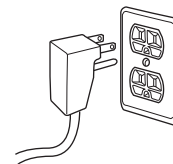
Tubería de SmartConnect™:

- Siga las instrucciones provistas con la tubería. Ajustar en exceso podrá ocasionar pérdidas. Abra el suministro de agua para controlar que no haya pérdidas.

Nota: Enrolle la longitud de tubería restante detrás de la unidad.

PASO 4 CONECTE LA CORRIENTE

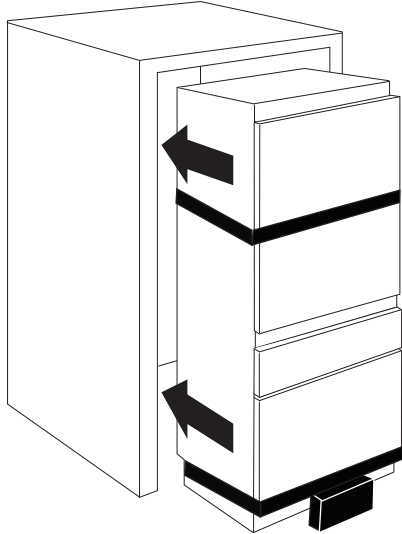
- Enchufe el cable de corriente en el tomacorriente.
- Asegúrese de que haya corriente en el refrigerador, abriendo el cajón de hielo (la puerta FF se cerrará con una banda) para ver si las luces interiores están encendidas.
- Los controles de temperatura estarán programados a 37° F para la sección de alimentos frescos y a 0°F tanto en el cajón del freezer como en el cajón adaptable.
- Permita que se establezca durante 24 horas antes de realizar ajustes.



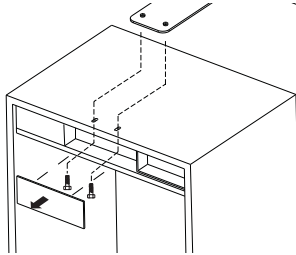
Instrucciones de Instalación

PASO 5 DESLICE LA UNIDAD HASTA EL ESPACIO DE PROTECCIÓN

Lleve la unidad hasta el espacio de protección, evitando retorcer la tubería de suministro de agua y el cable de corriente.



- Es posible que se requiera una barra larga y plana o una regla para medir yardas, a fin de guiar el extremo del frente del soporte anti-volcaduras sobre la unidad.
- Si el espacio lo permite, también puede inclinar el extremo frontal del soporte un poco hacia arriba, permitiendo que esto despeje la parte trasera de la unidad.

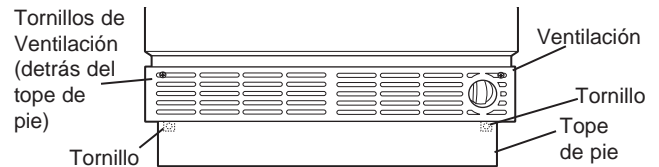


- Retire de la unidad la cubierta central superior de los componentes.
- Asegure la unidad al soporte anti-volcaduras, usando tornillos de máquina y arandelas para colocar las inserciones roscadas en el soporte anti-volcaduras
- Enrosque a mano los tornillos hasta que la unidad se encuentre en la ubicación deseada dentro del espacio de instalación.
- Finalice la instalación de la unidad ajustando los tornillos completamente.
- Vuelva a instalar la cubierta de los componentes.

PASO 6 RETIRE EL TOPE DE PIE Y LA VENTILACIÓN

El zócalo debe ser removido para acceder a la nivelación legstyle

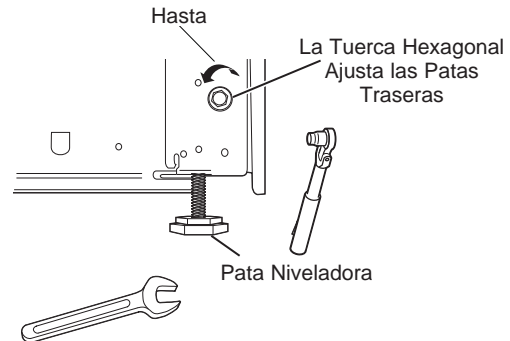
- Retire la parte sólida del tope de pie empujando hacia adelante.
- Coloque el tope de pie, la ventilación y los tornillos a un costado, de modo que cuente con los mismos para volver a realizar la instalación.
- Deje correr agua por la tubería a través de toda la unidad, hasta que salga del frente de la unidad.
- Sujete con cinta adhesiva en el piso hasta que la unidad haya sido empujada hasta el espacio de resguardo.



PASO 7 NIVELE EL REFRIGERADOR

Todos los modelos cuentan con 4 puntos de nivelación. La parte frontal está apoyada sobre patas niveladoras; la parte trasera está apoyada sobre ruedas ajustables. Es posible acceder a ambas desde la parte frontal del refrigerador.

- A fin de nivelar la parte trasera del refrigerador, gire la tuerca hexagonal de 5/16" que se encuentra ubicada sobre las ruedas frontales. Gire en contra de las agujas del reloj para levantar o a favor de las agujas del reloj para bajar el refrigerador.
- Para nivelar la parte frontal, use una llave de tuercas de 1-1/4".
- Ajuste la altura del refrigerador para que coincida con la abertura de la instalación. El refrigerador deberá estar nivelado y correctamente instalado entre los muebles de cocina.



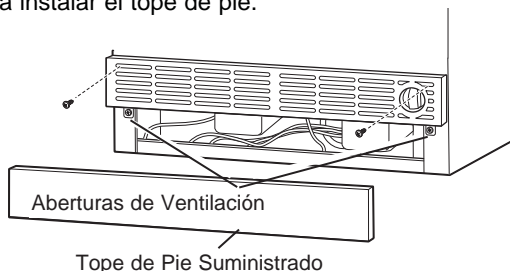
NOTIFICACIÓN: Las patas niveladoras traseras y frontales cuentan con un límite de ajuste de altura máxima de 1". Si en la instalación se requiere una altura superior a 84-1/2", el instalador deberá elevar el refrigerador sobre una lámina de contrachapado o tirantes. También se podrá agregar un ajuste a los gabinetes sobre la parte superior de la abertura, a fin de acortar esta última.

Si intenta elevar el refrigerador más de 1", dañará las patas niveladoras frontales y las ruedas niveladoras traseras.

Instrucciones de Instalación

PASO 8 INSTALE EL TOPE DE PIE Y LA VENTILACIÓN

- Ubique el tope de pie, la ventilación y los tornillos (retirados anteriormente).
- Se puede instalar un tope de pie hecho a medida que coincida o complemente los muebles que estén alrededor. Use el tope de pie suministrado como plantilla.
- Vuelva a instalar la ventilación usando los tornillos retirados previamente.
- Vuelva a instalar el tope de pie.



PASO 9 GIRO DE PUERTA INVERSO (Si es necesario)

Si está satisfecho con el giro de la puerta, saltee este paso.

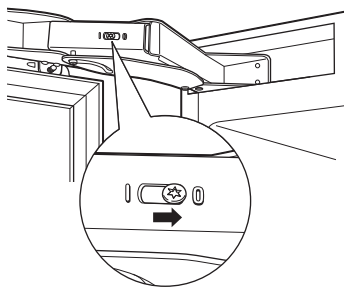
⚠ADVERTENCIA Siga todos los pasos al invertir la dirección de la apertura de la puerta. Si no se siguen estas instrucciones, dejando piezas sin uso o ajustando tornillos en exceso, esto podrá hacer que la puerta se caiga y producir lesiones y daños sobre la propiedad.

1. Abra la puerta de alimentos frescos.

⚠ADVERTENCIA  **Riesgo de Lastimaduras con la Bisagra de la Puerta**

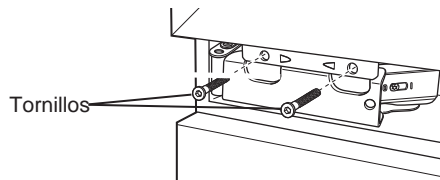
El siguiente paso es importante para un manejo seguro de una bisagra sin carga. No saltee el paso 2.

2. Libere los resortes de la bisagra usando una llave Torx T-20 para aflojar el tornillo Torx de | a 0 en ambos resortes. Cierre la puerta.

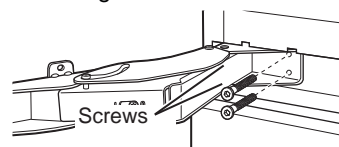


PASO 9 GIRO DE PUERTA INVERSO (Si es necesario) (cont.)

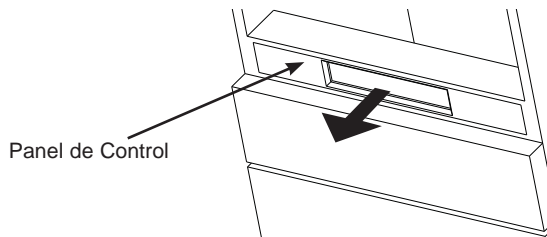
3. Usando una llave Allen de 5/32", retire los 2 tornillos por bisagra que aseguran la puerta al refrigerador. Pida a otra persona que sostenga la puerta, mientras retira estos tornillos para evitar que la puerta sufra una caída.



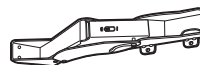
4. Abra las bisagras. Usando una llave Allen de 5/32", retire los 2 tornillos por bisagra que aseguran la bisagra al gabinete del refrigerador.



5. Retire el brazo de la bisagra y el marco de la parte superior del refrigerador e instale estos en los lados opuestos.
6. Retire el brazo de la bisagra y el marco de la parte inferior del compartimiento de alimentos frescos. Retire el panel de control y suavemente coloque el mismo en el cajón FZ.



7. Vuelva a instalar el panel de control.
8. Las bisagras se volverán a instalar en esquinas opuestas. La bisagra de la parte superior se dará vuelta y se instalará en la parte inferior del compartimiento de alimentos frescos. La bisagra de la parte inferior se dará vuelta y se instalará en la parte inferior del compartimiento de alimentos frescos.

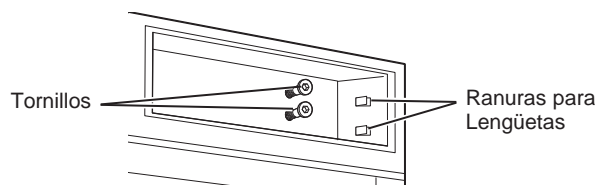


Bisagra Superior



Bisagra Inferior

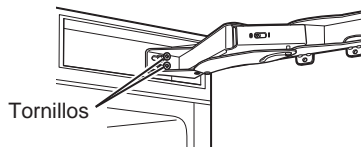
9. Instale los tornillos en el gabinete del compartimiento de alimentos frescos en los 4 lugares. Atornille los mismos aproximadamente en el punto intermedio.



Instrucciones de Instalación

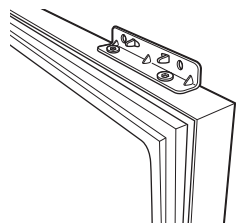
PASO 9 GIRO DE PUERTA INVERSO (Si es necesario) (cont.)

10. Para instalar la bisagra superior, gire la bisagra en la dirección adecuada – la sección del soporte que será añadido a la puerta se deberá encontrar en la parte inferior de la bisagra. Deslice la bisagra sobre los tornillos y coloque las lengüetas en el brazo de la bisagra. Ajuste los tornillos.

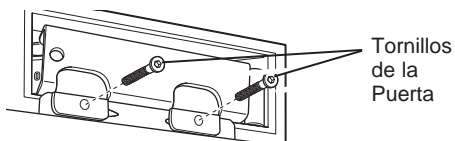


11. Para instalar la bisagra inferior, gire la bisagra en la dirección adecuada – la sección del soporte que será añadido a la puerta se deberá encontrar en la parte superior de la bisagra. Deslice la bisagra sobre los tornillos y coloque las lengüetas en el brazo de la bisagra. Ajuste los tornillos. Cierre la bisagra.

12. Retire las tuercas de la puerta para volver a instalar las mismas en la parte superior, inferior y extremo opuesto.

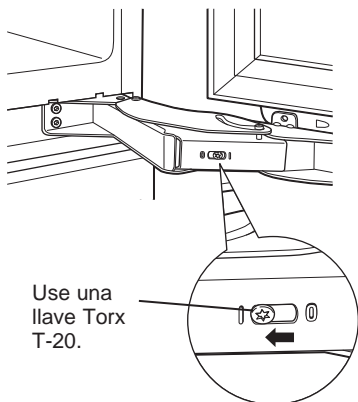


13. Con otra persona que sostenga la puerta en su lugar, alinee las aberturas del soporte de las bisagras de la puerta con las aberturas de la bisagra. Primero coloque los tornillos en la bisagra superior.



14. Luego instale los tornillos en la bisagra inferior.

15. Usando una llave Torx T-20, ajuste la tensión de los tornillos de la bisagra girando los tornillos de 0 a |.

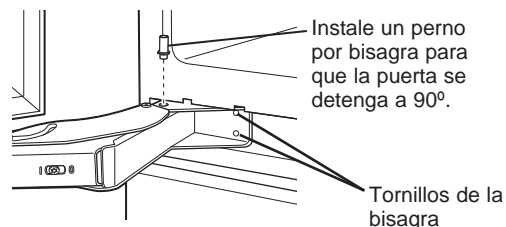


PASO 10 AJUSTE EL GIRO DE PUERTA (Si es necesario)

NOTA: El refrigerador cuenta con una detención de la puerta de 2 posiciones. Cuando el espacio no permita que la puerta gire 115°, podrá limitar el giro de la puerta a 90°.

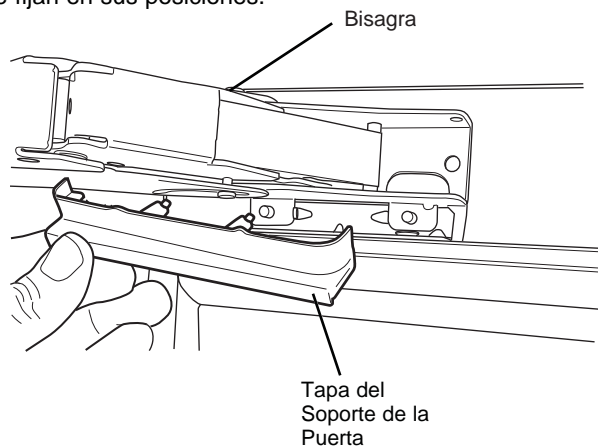
Si la apertura de la puerta es satisfactoria para su situación durante la instalación, saltee este paso.

- Abra la puerta de alimentos frescos para acceder a las bisagras superior e inferior.
- Afloje los tornillos de la bisagra inferior que estén colocados en la unidad.
- Empuje la bisagra hacia adelante suavemente e inserte el perno de la bisagra en el agujero más cercano a la unidad.
- Es posible que necesite usar un martillo más pequeño para una colocación completa.
- Vuelva a ajustar los tornillos de la bisagra.
- Repita esto en la bisagra superior.



PASO 11 INSTALE LAS TAPAS DEL SOPORTE DE LA PUERTA (en algunos modelos)

Instale las tapas para cubrir los soportes cerca de las bisagras en la parte superior e inferior de la puerta. Las tapas se fijan en sus posiciones.

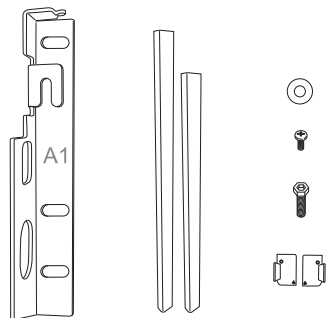


Instrucciones de Instalación

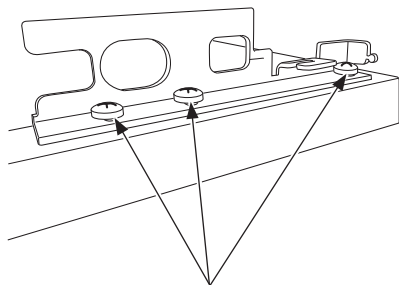
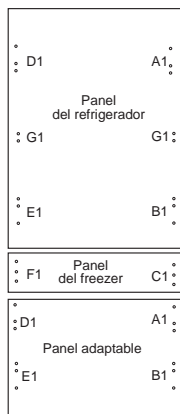
PASO 12 INSTALE LOS PANELES DE LAS PUERTAS Y CAJONES

1. Retire todo el equipamiento de los paneles de la puerta y los cajones y cubierta del refrigerador.

Elemento	Cantidad
Soportes de los paneles	12
Tornillos mecánicos Phillips (para usar con el accesorio de panel SS)	34
Tornillos de cabeza hueca hexagonal Allen	12
Arandelas	12
Cubierta de la puerta	6
Tapas de la cubierta	12
Llave Allen	2



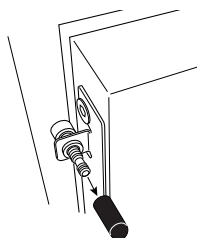
2. Sujete los soportes A1 - F1 a los paneles de la puerta en las ubicaciones identificadas abajo. Los paneles a medida deben contar con orificios perforados previamente como se indica en las plantillas para el panel de la puerta: 31-1000149, 31-1000150, 31-1000151, 31-1000152. Si compró un accesorio de panel SS, utilice los tornillos mecánicos Phillips para sujetar los soportes a los paneles SS de la puerta. Para los paneles a medida, utilice un tornillo para madera apropiado.



No ajuste los tornillos, usted lo tendrá que hacer después de finalizado el proceso de montaje y de alineación de izquierda a derecha.

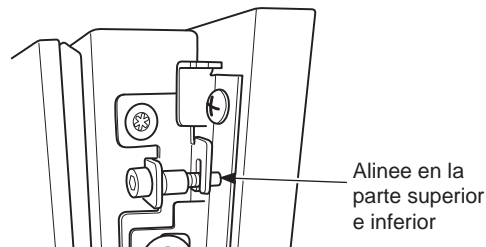
3. Si usted solicitó manijas a medida y en este momento no se encuentran instaladas en los paneles, por favor hágalo ahora.

4. Quite las tapas de los tornillos de los pernos de ajuste de las puertas.

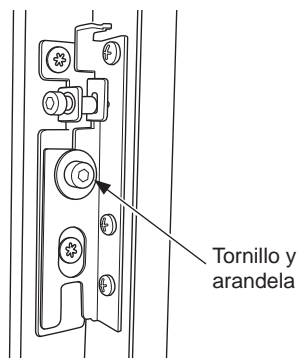


5. Abra la puerta de alimentos frescos para colocar el panel de alimentos frescos.

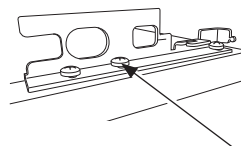
6. Coloque el panel de alimentos frescos sobre la puerta de alimentos frescos alineando los ganchos de los soportes del panel con los pernos de ajuste de la puerta.



7. Sujete el panel a la puerta de alimentos frescos en cuatro lugares utilizando el equipamiento indicado a continuación. No ajuste los tornillos. Los tornillos deben ajustarse después de la alineación de los paneles

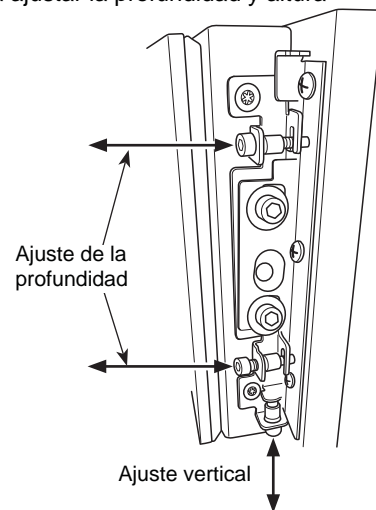


8. Desplace el panel de lado a lado para asegurar que no haya espacios desparejos respecto de los muebles de cocina sobre ambos lados.



Ajuste un tornillo por soporte. Los otros tornillos se ajustarán al final del proceso de alineación.

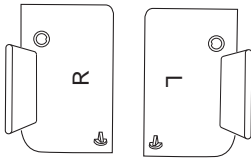
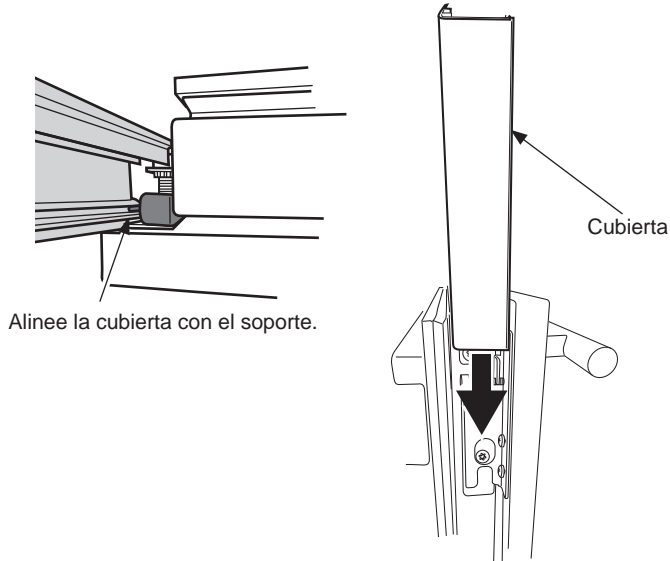
9. Utilice una llave allen para ajustar la profundidad y altura del panel de la puerta de alimentos frescos para que quede alineado con los muebles de cocina adyacentes. Debe haber un espacio mínimo de 1/8" entre el panel y los muebles de cocina adyacentes.



Instrucciones de Instalación

PASO 12 INSTALE LOS PANELES DE LAS PUERTAS Y CAJONES (cont.)

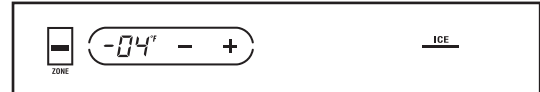
- Repita los pasos 5-9 para el cajón del freezer.
- Repita los pasos 5-9 para el cajón adaptable.
- Ajuste todos los tornillos cuando haya comprobado la alineación correcta del panel.
- Coloque la cubierta para que no se vea el equipamiento de ajuste del panel.



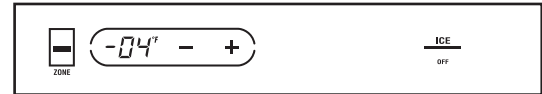
- Instale las tapas de la cubierta para cubrir los extremos de misma.

PASO 13 ENCIENDA LA MÁQUINA DE HACER HIELO

- Presione el indicador de ZONE (Zona) en la tecla de control dos veces para seleccionar el cajón del freezer. Presione el ícono ICE (Hielo) en el lado derecho del control. Aparecerá una línea debajo de ICE (Hielo) que mostrará que la máquina de hacer hielo está en ON (Encendido)
- Asegúrese de que nada interfiera con la extensión del brazo indicador.
- Descarte el primer balde lleno de cubos de hielo.



- Para apagar la máquina de hacer hielo, presione el ícono ICE (Hielo). La palabra OFF (Apagar) aparece debajo de ICE (Hielo), indicando que la máquina de hacer hielo está en OFF (Apagar).



Notas

Página trasera de las Instrucciones de Instalación

NOTE: While performing installations described in this book, safety glasses or goggles should be worn.

NOTE: Product improvement is a continuing endeavor at Monogram. Therefore, materials, appearance and specifications are subject to change without notice.



MONOGRAM