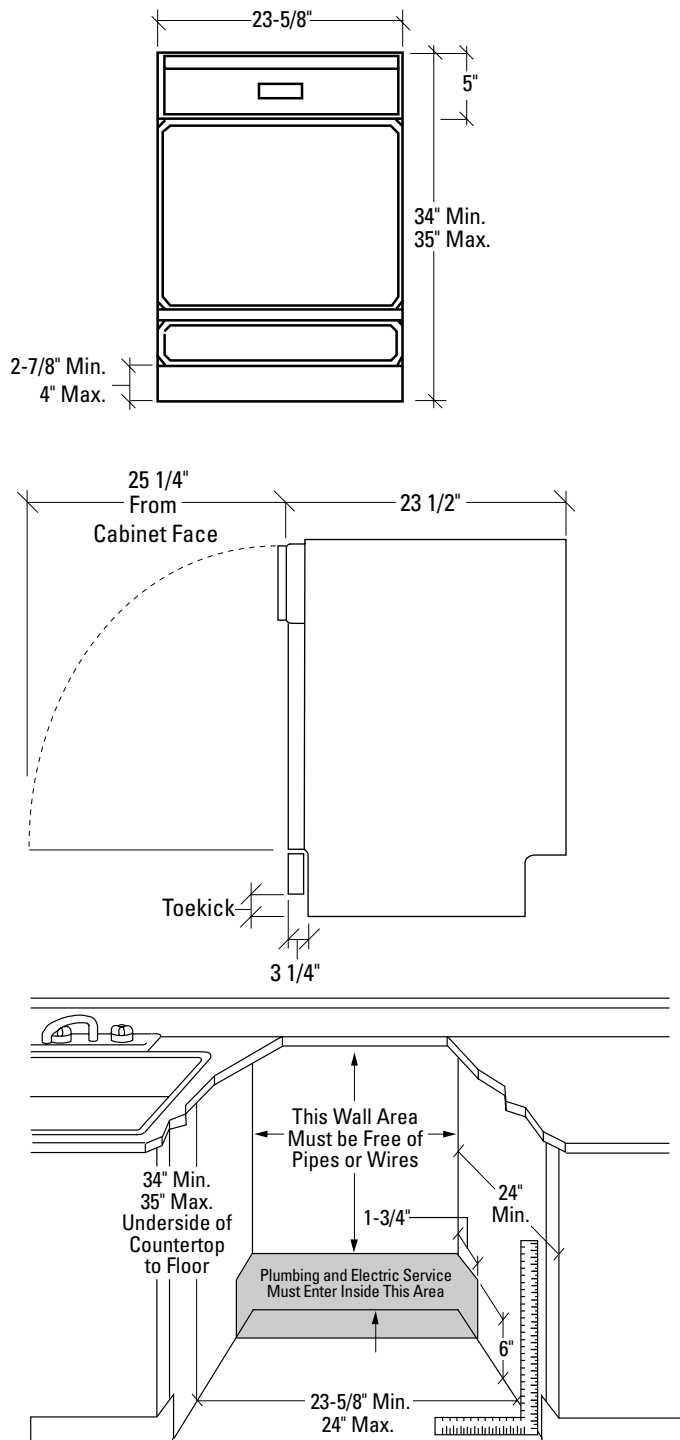




Monogram™

ZBD5900FSS—GE Monogram Dishwasher with Stainless Steel Interior

Dimensions and Specifications (in inches)



Design Information: This dishwasher provides a stainless steel appearance, both inside and outside.

A toe kick is supplied and may be covered with a custom toe kick to match kitchen decor.

Side trim is not required. Side filler strips are supplied to fill a 24" wide opening.

Additional Specifications: A 120 Volt, 60 Hz power supply is required. An individual properly grounded branch circuit protected by a 15 or 20 amp circuit breaker or time delay fuse is recommended. Install a 3-prong electrical receptacle at least 6" above the floor and within 18" of the right or left adjacent cabinet wall. Wiring must enter the cutout in shaded area shown. A double, side-by-side installation requires two separate circuits.

The hot water line must enter the cutout in the shaded area from the right, left, rear or through the floor. The water line should be 3/8" O.D. copper or 1/2" O.D. plastic. Installation of an easily accessible hand shut-off valve is strongly recommended.

The dishwasher should be placed no more than 10 feet from the sink for proper drainage.

If the dishwasher is to be located in or near a corner of base cabinets, allow 2" min. clearance from the corner to prevent interference with adjacent door handles.

Optional Trim Kits:

- ZPF25W, white or ZPF25B, black custom panel kit—Provides for the installation of a 1/4" thick custom door panel.
- ZPF75W, white or ZPF75B, black custom panel kit—Provides for a trimless appearance using a 3/4" thick custom door panel.

For answers to your Monogram®, GE Profile Performance Series™, GE Profile™ or GE appliance questions, call GE Answer Center® service, 800.626.2000.



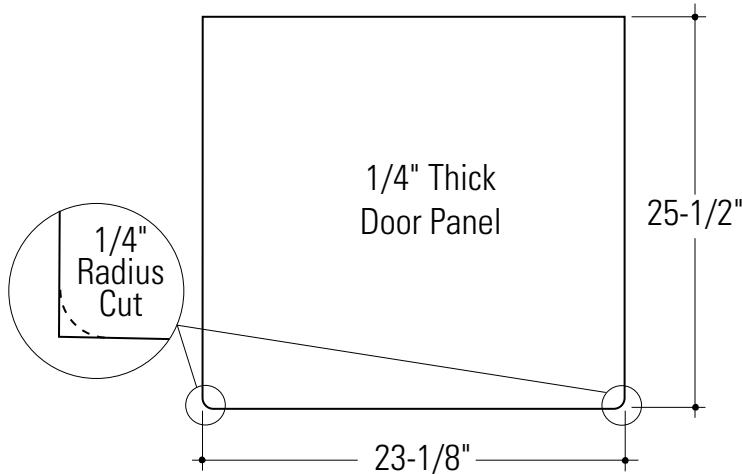
Listed by
Underwriters
Laboratories



Monogram™

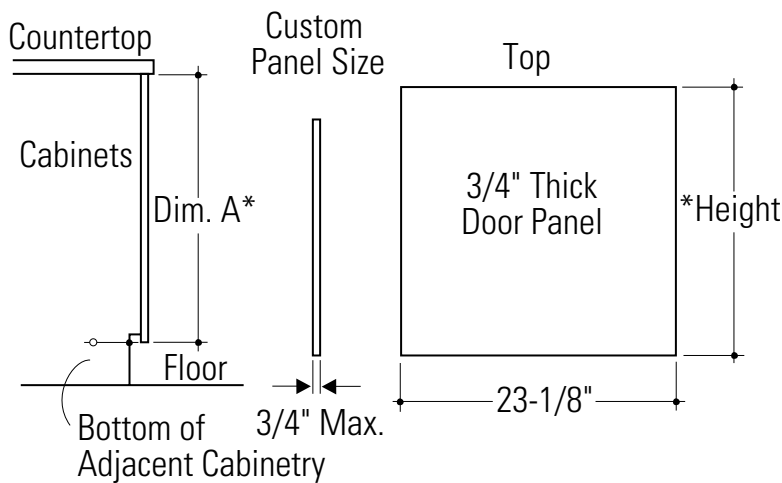
ZBD5900FSS—GE Monogram Dishwasher with Stainless Steel Interior

Custom Door and Access Panel Dimensions



- Cut door panel to the dimensions shown.
- The bottom left and right corners should be cut at 1/4" radius. See illustration.

NOTE: The trim will conceal the cut edges of the panel.



The custom panel should be constructed in the same manner as cabinet doors. All edges can be seen and must be finished for the best appearance.

- Measure dimension A, from underside of countertop to bottom of adjacent cabinets.
 - Subtract 5-1/8". Control panel height is 5".
 - Allow 1/8" for gap between bottom of countertop and top of control panel.
 - Add 1/4". The custom panel will slide up, behind control panel.

*Height is equal to A minus 5-1/8" plus 1/4"

EXAMPLE:

*Height = 30-1/2" minus 5-1/8" plus 1/4" is equal to 25-

For answers to your Monogram®, GE Profile Performance Series™, GE Profile™ or GE appliance questions, call GE Answer Center® service, 800.626.2000.

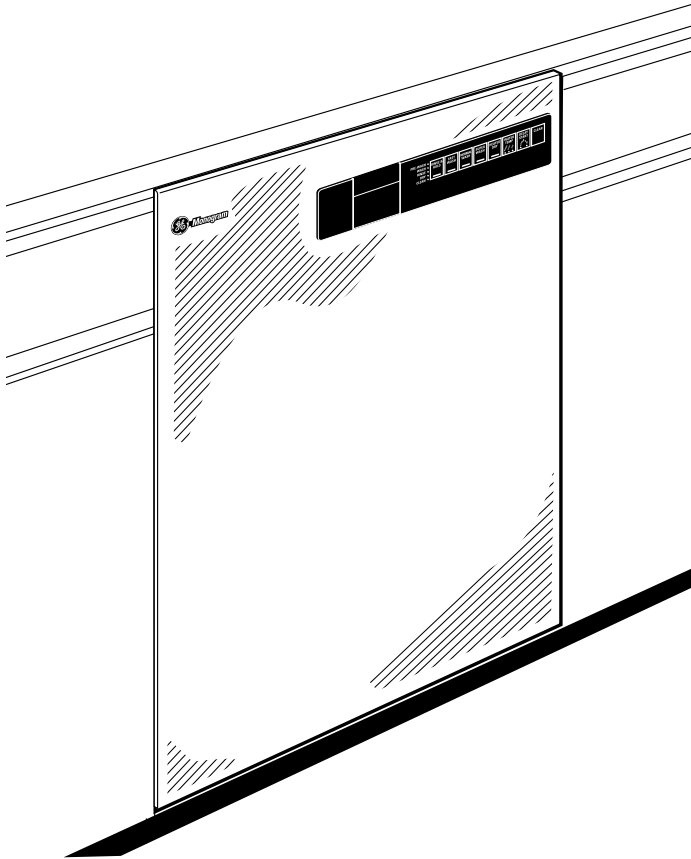


Listed by
Underwriters
Laboratories



Monogram™

ZBD5900FSS—GE Monogram Dishwasher with Stainless Steel Interior



Features and Benefits

- Monogram Sound Insulation Package
- Stainless Steel Interior
- 4 Cycles / 3 Options - 19 Combinations
- Cycles: Pots & Pans Cycle, Normal Wash, Glasses and Rinse & Hold
- Cycle Auto Memory
- 2/4/6-Hour Delay Start Option
- Wash Temp Options Include Norm, Boost and Sani
- Three-Level Wash System
- Stainless Steel Mid-Level and Lower Wash Arm
- Stainless Steel 4-Way Filtration
- Adjustable Nylon Upper Rack
- Nylon Lower Rack with Fold-Down Tines
- Deluxe Silverware Basket with Cell Covers
- Utility Shelves
- Convection Drying
- Heated Dry On/Off
- Interior Light
- Electronic Child Lock-Out
- Rinse Aid Dispenser
- ZBD5900FSS - Stainless Steel