

JGBP28MEM

GE® 30" Free-Standing Self-Clean Gas Range

Dimensions and Installation Information (in inches)

Optional Gas Range Accessory Drip Pans for Sealed and Standard Burner Models

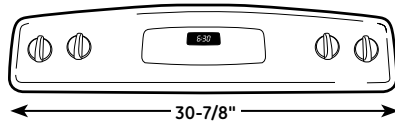
(Available at additional cost)

To order these accessory drip pans, call toll-free 800-626-2002

Gas Self-Clean Range Anti-Tip Bracket (Part No. 205C1714P001)

Electrical Rating: 120V, 60Hz, 5A

Installation Information: Before installing, consult installation instructions packed with product for current dimensional data.

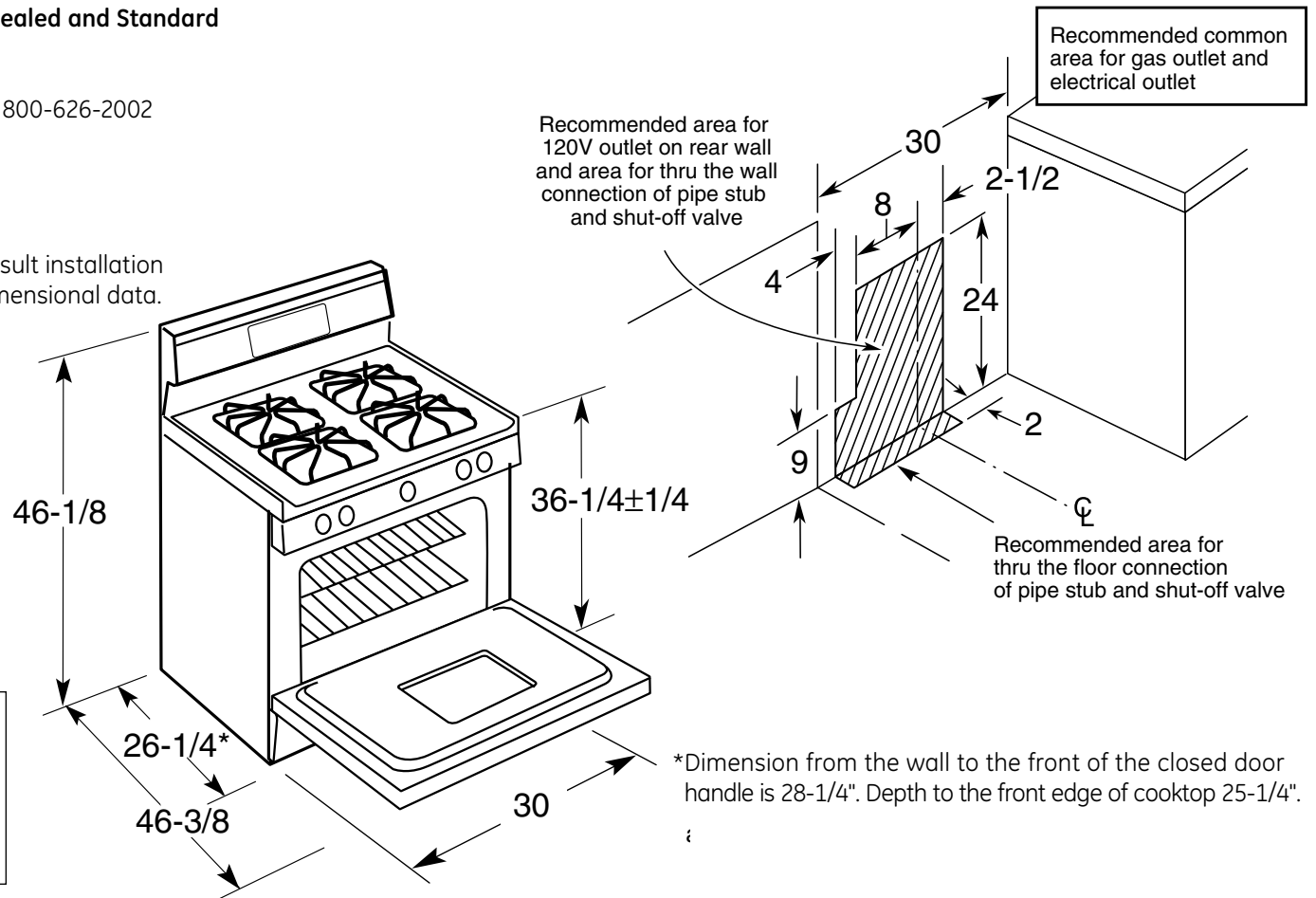


All 30" GE gas and electric range backguards are 30-7/8" wide.*

Note: 30" ranges conform to U.L. requirements for 0" spacing from adjacent walls below countertops. To reduce possible scorching of walls, engineering recommends a minimum of 1-1/2" spacing to allow for possible extended, high heat, no-load heating element operation.

*Except these models: JGBS07, JGBS04, JGBP90, all GE Profile free-standing electric and gas ranges
Fits most countertop backsplash applications.
Consult Use & Care Manual for detailed installation instructions.

For answers to your Monogram®, GE Profile™ or GE® appliance questions, visit our website at geappliances.com or call GE Answer Center® service, 800.626.2000.



*Dimension from the wall to the front of the closed door handle is 28-1/4". Depth to the front edge of cooktop 25-1/4".



All GE ranges are equipped with an Anti-Tip device. The installation of this device is an important, required step in the installation of the range.

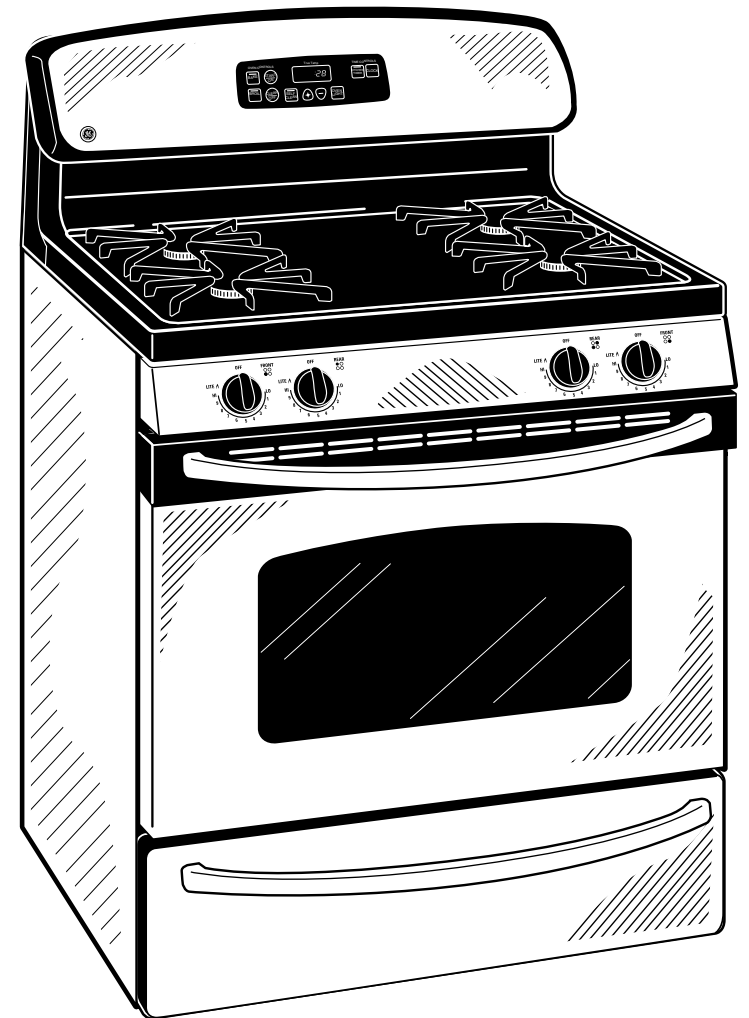


JGBP28MEM

GE® 30" Free-Standing Self-Clean Gas Range

Features and Benefits

- Self-Clean Oven - Conveniently cleans the oven cavity without need of scrubbing
- Extra-Large Oven Capacity - Provides a large oven interior ideal for cooking more items at once
- TrueTemp™ System - Delivers even heat distribution and maximum oven control
- QuickSet III Oven Controls - Feature an easy to use design that lets you set precise cooking temperatures
- All Purpose Burners - Deliver a wide range of heat output ideal for most cooking requirements
- Sealed Cooktop Burners - Eliminate the space between the burners and the cooktop to help contain spills and boil over liquids, ensuring easy cleanup
- Cast-Iron Grates; Square
- Frameless Glass Oven Door - Offers an easy-to-clean and stylish design that blends seamlessly into existing cabinetry
- Big Hearth Window - Features an enhanced shape to add an elegant appearance and make viewing trouble-free
- Two Oven Racks - Feature a durable construction to help accommodate any size or type of cookware
- Model JGBP28MEMBS - CleanSteel™ Appearance



imagination at work