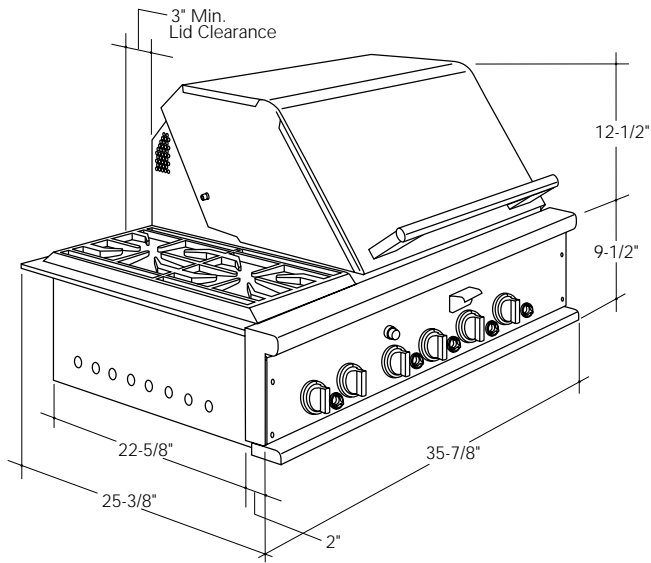




Monogram™

ZGG36L30ASS—GE Monogram 36" Outdoor Cooking Center

Dimensions and Specifications (in inches)



36" Liquid Propane Gas Model: 3 Grill Burners

- Monogram Outdoor Cooking Centers are designed to be installed on a grill cart or into an enclosure.
- **These cooking centers are designed for outdoor use only.** Do not locate the grill in a building, garage or other enclosed area.
- Ensure that fresh air ventilation is adequate.
- Consider exposure to wind and proximity to traffic paths.
- The minimum clearances to combustibles must be maintained at all times.
- Do not install a grill below overhead unprotected combustible construction.
- The installation must conform to local codes or in the absence of local codes, with the national fuel gas code, ANSI Z223 latest edition.

Note: Reference pub. no. 49-8843, Monogram Outdoor Cooking Center Installation Instructions, for complete details. Reference pub.no. 49-8841, Monogram Outdoor Cooking Center Cart Installation Instructions, for complete details.

For answers to your Monogram,[®]
GE Profile Performance Series,[™]
GE Profile[™] or GE appliance questions, call
GE Answer Center[®] service, 800.626.2000.

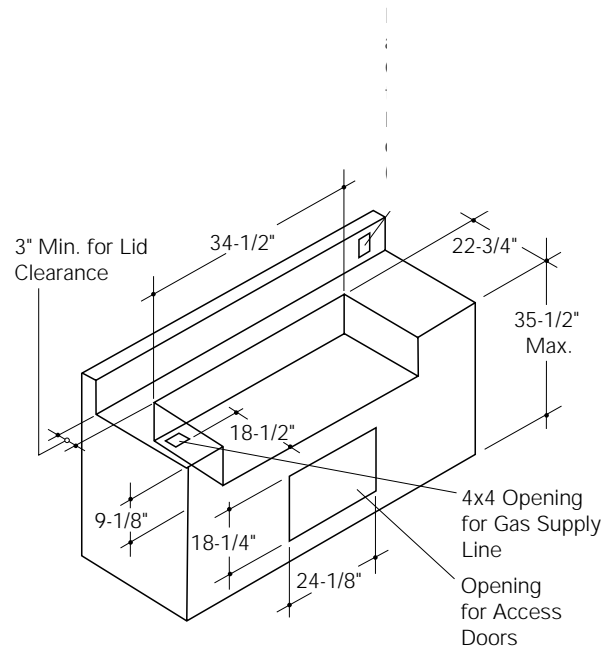
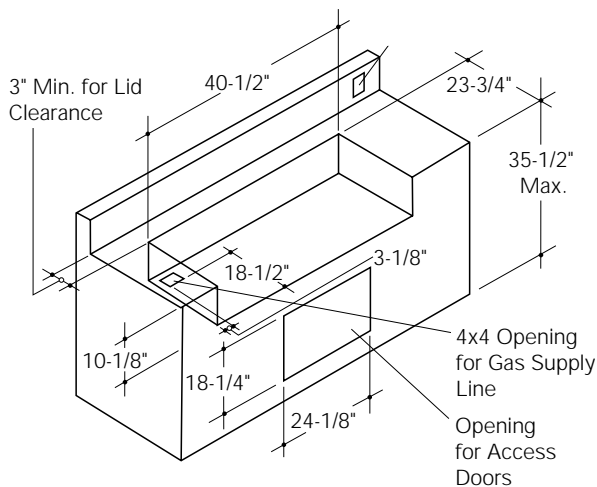




Monogram™

ZGG36L30ASS—GE Monogram 36" Outdoor Cooking Center

Dimensions and Specifications (in inches)



Installation in a combustible enclosure. ZX36JYSS insulated jacket is required.

- Combustible enclosures require insulated jackets. ZX36JYSS for 36" models and ZX48JYSS for 48" models. The insulated jacket must be supported from the bottom by a solid deck or ledge on each side beneath the jacket.
- Construct the enclosure as shown and place the insulated jacket into the enclosure. Place the cooking center into the jacket. No installation hardware is required.

Installation in a non-combustible enclosure.

- In a non-combustible (masonry) enclosure, the grill drops into the opening and hangs from its side flanges. A deck is not required for support.

Clearances - All Models

- Allow 3" at the rear for lid clearance.
- Allow at least 12" clearance at the back of the grill when exhaust is directed to a window or a surface that is difficult to clean.
- Allow at least 6" clearance on each side to any non-combustible material located above the cooking surface for counterspace. Rotisserie models also require 6" clearance for placing and handling the motor and skewer.
- Allow at least 12" clearance on each side to combustible vertical materials.

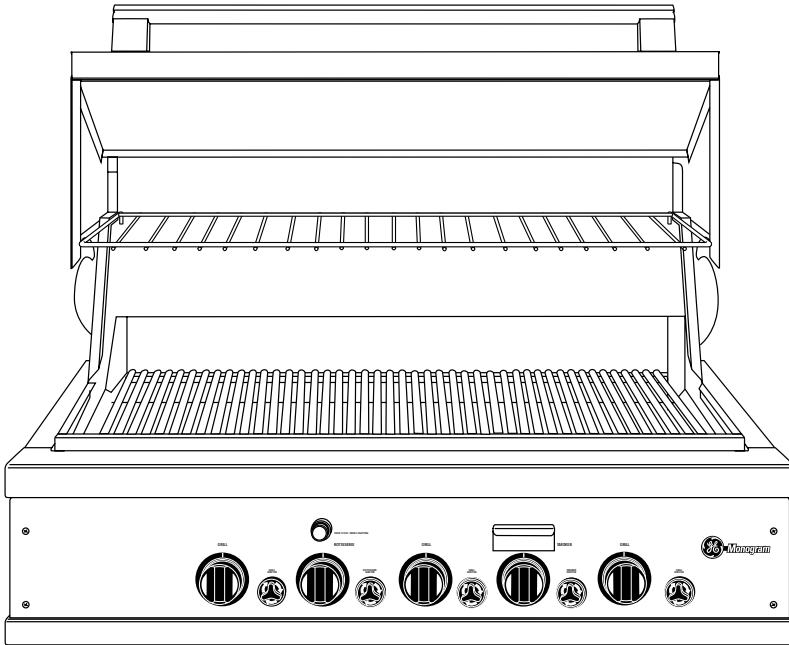
For answers to your Monogram®
GE Profile Performance Series™
GE Profile™ or GE appliance questions, call
GE Answer Center® service, 800.626.2000.





Monogram™

ZGG36L30ASS—GE Monogram 36" Outdoor Cooking Center



Features and Benefits

- *Liquid Propane Model (LP Tank Included)*
- *3 (20,000 BTU) Cast-Iron Gas Grill Burners*
- *5,000 BTU Cast-Iron, Built-In Smoker System*
- *Warming Rack*
- *Rotary Multi-Spark Piezo Ignition*
- *Brass Control Valves*
- *Steel, Porcelain-Enameled Grill Grates*
- *Stainless Steel, Slide-Out Drip Tray*
- *Flexible Installation*
- *Model ZGG36N30YSS - Natural Gas*
- *Model ZGG36L30ASS - Liquid Propane*