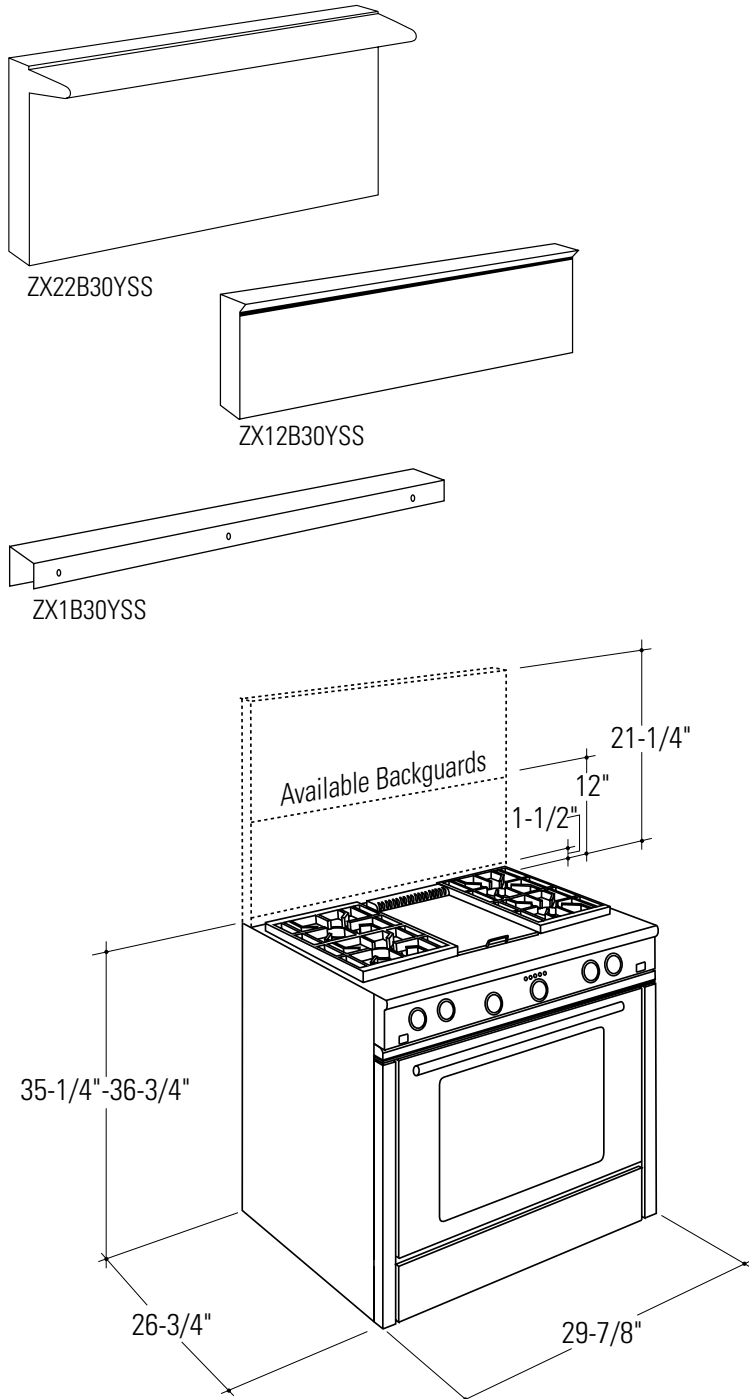




Monogram™

ZDP30L4DSS - GE Monogram™ 30" Free-Standing Professional Gas Range

Dimensions and Specifications (in inches)



These ranges are factory set for either natural gas or liquid propane gas.

30" Natural Gas Model:

ZDP30N4YSS—4 gas burners

30" Liquid Propane Gas Model:

ZDP30L4YSS—4 gas burners

Accessory Requirements:

All models **require** the installation of a backguard. A backguard should be ordered at the same time as the range. Both must be on site at the time of installation.

Order one backguard for 30" models:

ZX1B30YSS—1-1/2" high backguard (required for island installations)

ZX12B30YSS—9" high backguard

ZX22B30YSS—22" high backguard with warming rack (2 piece)

Advance Planning:

Refer to dimensional drawings for appropriate placement and necessary clearances when planning the installation.

- Cabinetry cannot be installed directly above the range.
- This range requires the installation of a vent hood, 30" to 36" above the surface.
 - The vent hood must be at least 24" deep.
 - The vent hood must be the same width as the range.
 - The vent hood must provide at least 600 CFM and up to 800 CFM.
- Working areas adjacent to the range should have 18" minimum clearance between countertop and cabinet bottom.
- Clearance between range and side wall or combustible material must be at least 12" on each side.

For answers to your Monogram®, GE Profile™ or GE appliance questions, visit our website at GEAppliances.com or call GE Answer Center® service, 800.626.2000.

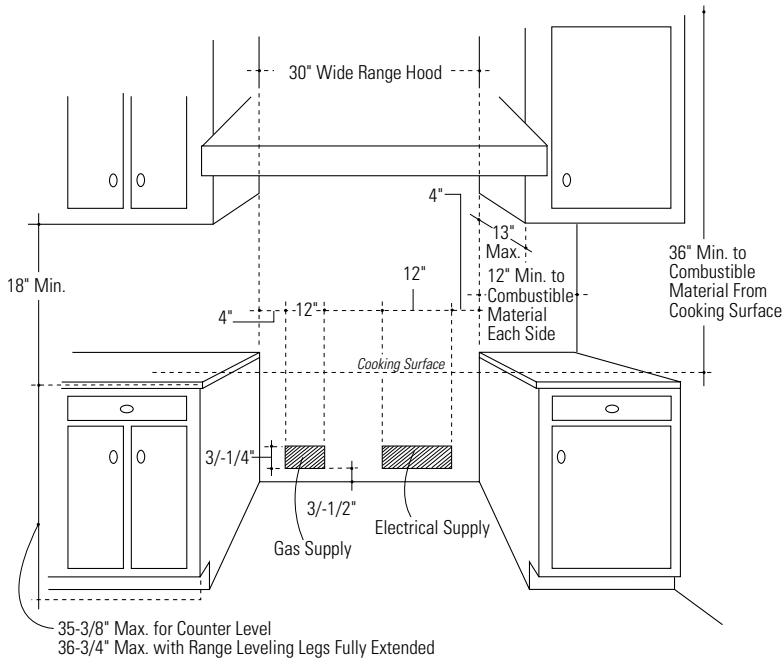




Monogram™

ZDP30L4DSS - GE Monogram™ 30" Free-Standing Professional Gas Range

Dimensions and Specifications (in inches)



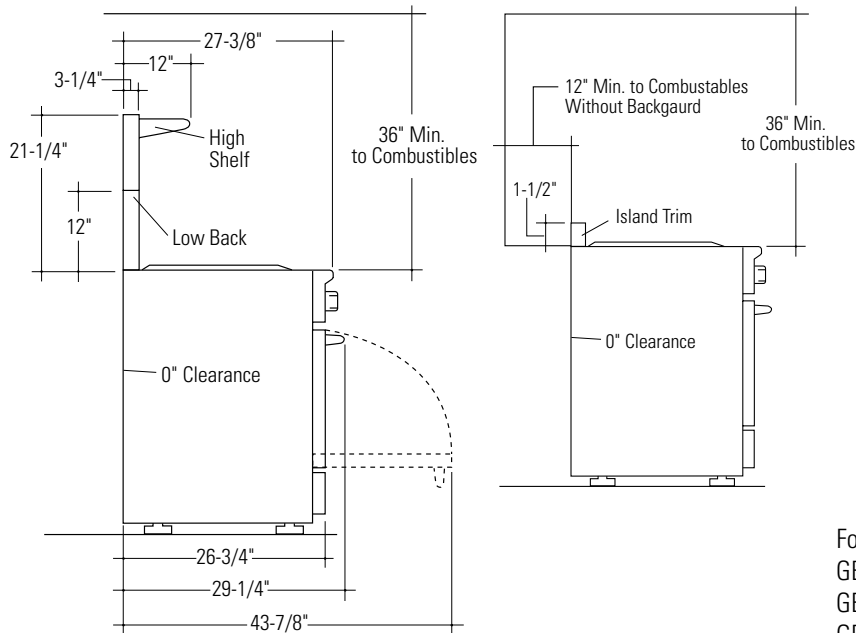
If the range is installed in an island:

- Allow 12" min. clearance at the back to combustible materials.
- Allow 36" min. above the cooking surface to combustible materials.
- The vent hood must provide at least 600 CFM and up to 1200 CFM.
- Installation must conform with local codes. In the absence of local codes, the range must comply with the National Fuel Gas Code, ANSI Z223.1-1990.

A.G.A. approved

Installation Information:

Before installing, consult installation instructions (Pub. #49-8786) packed with product for current dimensional data.



For answers to your Monogram®, GE Profile™ or GE appliance questions, visit our website at GEAppliances.com or call GE Answer Center® service, 800.626.2000.

Specification Created 7/01

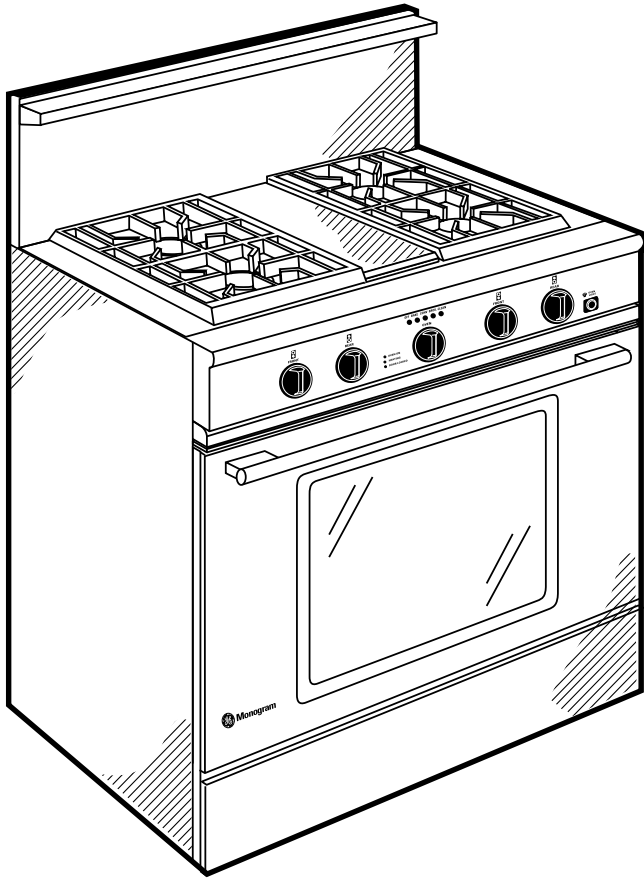


Listed by
Underwriters
Laboratories



Monogram™

ZDP30L4DSS - GE Monogram™ 30" Free-Standing Professional Gas Range



Features and Benefits

- Liquid Propane Gas
- Four (15,000/500 BTU) Dual-Ring Gas Burners
- Porcelainized, Cast-Iron Burner Grates
- Stainless Steel, Slide-Out Drip Tray
- Electronic Ignition with Automatic Reignition
- 4.0 cu. ft Electric Convection Oven
- Self-Clean Oven
- Commercial-Style Controls
- Six-Pass Bake Element and Eight-Pass
- Broil Element
- Porcelain-Enameled Broiler Pan with Chrome-Plated Grid
- 3 Oven Racks
- Stainless Steel Door with Window
- Tubular Stainless Steel Handle
- Model ZDP30N4DSS - Natural gas
- Model ZDP30L4DSS - Liquid propane gas